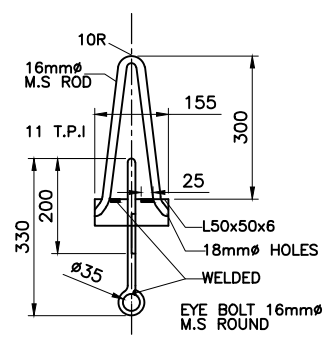
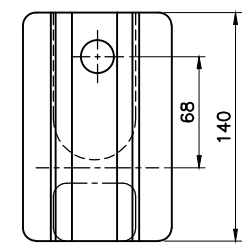


DIMENSION IN mm	RCC POLES	PSCC POLES	
	8M / 9M	8M	9M (300kg)
A	135	125	185
B	105	90	100

① GUY CLAMP DETAILS



② TURN BUCKLE (Hot dip galvanised)



③ STRAIN INSULATOR

STANDARD PARTICULARS

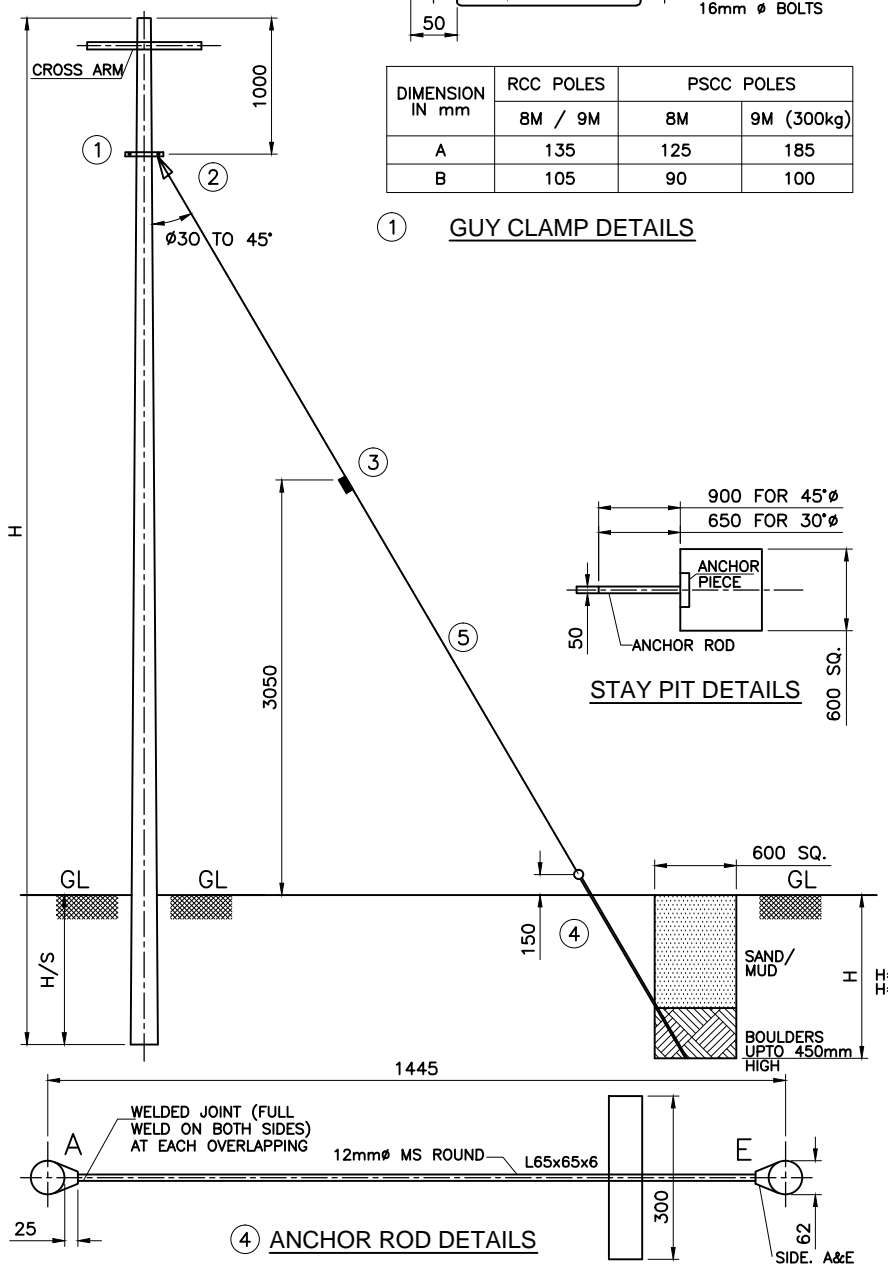
1. LEAKAGE DISTANCE IN mm70
2. TENSILE STRENGTH IN KG.3500
3. FLASH OVER VOLTAGES
 - a) DRY KV35
 - b) WET KV20
4. PUNCTURE VOLTAGE IN IN50

ABSTRACT OF GUY KIT.

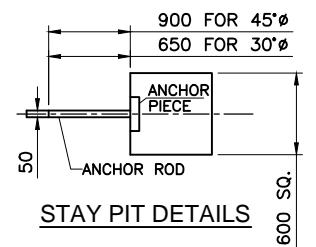
1. GUY CLAMP - 2 NOS. AS PER TABLE.
2. 16mm ϕ 65mm LONG BOLT & NUT - 2 NOS.
3. TURN BUCKLE - 1 NO.
4. STRAIN INSULATOR - 1 NO.
5. ANCHOR ROD - 1 NO.
6. 7/3.15mm GUY WIRE AS PER TABLE.
7. TIMBLE TO SUIT 7/3.15mm GUY WIRE AS PER TABLE - 2 NOS.

⑤ 7/3.15mm GUY WIRE REQUIREMENT

SL. NO.	RCC/PCC POLE LENGTH IN METERS.	LENGTH OF REQUIRED GUY WIRE IN METERS.	
		FOR 30'	FOR 45'
1	8.0	7.5	9.0
2	9.0	8.5	10.5



④ ANCHOR ROD DETAILS



STAY PIT DETAILS

NOTES:-

1. LEAVE ABOUT 400mm EXTRA WIRE AT EACH BINDING.
2. UNSTRAND AND BEND EACH INDIVIDUAL STRAND FOUR TIMES AND CUT AWAY EXTRA WIRE.
3. USE TIMBLE AT ANCHOR ROD & EYE BOLT POINT TO AVOID DAMAGE TO GUY WIRE STRANDS.
4. THE CLAMPS SHOULD SUIT TO POLE C/S AS INDICATED IN TABULAR COLUMN AND THE DIMENSIONS ARE WORKED OUT WITH THE FOLLOWING DRAWINGS AS BASIS.
 - a) KEB/GPL/TL-SS/5, b) RCC/C1-01 c) MSEB-GPL-MISC 8&7 FOR RCC POLES AND d) KEB/GPL/MISC-97 FOR PCC POLES.
5. THE GUY WIRE TO BE SUPPLIED IN CUT LENGTHS AS PER TABULAR COLUMN. ENDS TO BE FIRMLY BINDED TO AVOID DE STRANDING.
6. GUY CONNECTING DOES NOT INVOLVE CEMENT, ONLY SAND AND STONE BOULDERS TO BE USED.

	Signatures	All dimensions are in mm unless otherwise stated.	<p>BESCOM</p>
Chd	<i>[Signature]</i> AGM (QS&S)	<p>DETAILS OF GUY SET ACCESSORIES KIT</p>	
Sub	<i>[Signature]</i> DGM (QS&S)		<i>[Signature]</i> General Manager, (Elec.) QS&S
	SCALE: N.T.S		DRG.NO.BESCOM/GM/QS&S/07 REV-002 DATED:24-11-2018