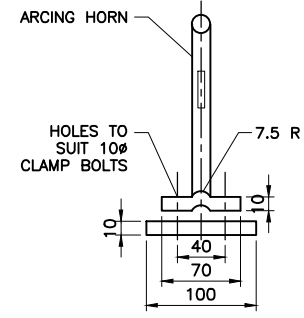
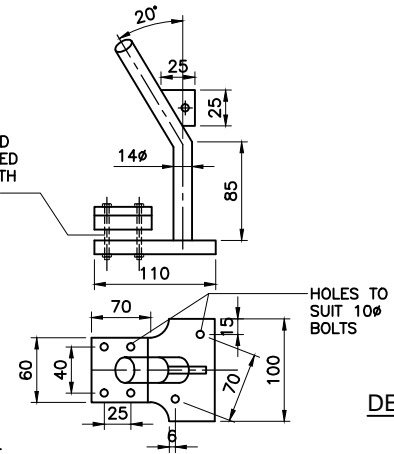


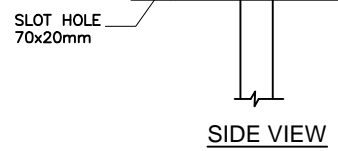
45x10mm  
HEXAGONAL HEADED  
ELECTRO GALVANISED  
BOLTS & NUTS WITH  
SPRING WASHERS



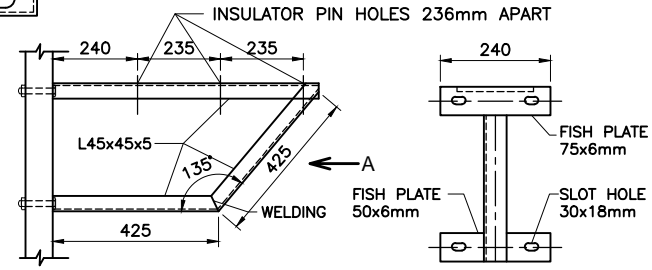
DETAILS OF HEAVY DUTY TERMINAL CLAMP  
MADE OF LMS ALLOY (ALUMINUM)



FISH PLATE - 2NO./SET

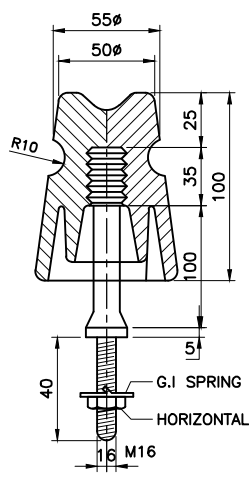


SIDE VIEW

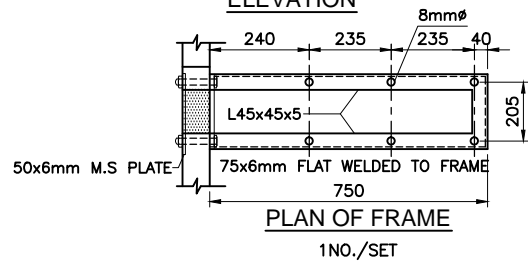


FUSE MOUNTING FRAME  
WITH BRACKET  
ELEVATION

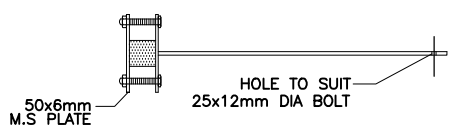
VIEW THROUGH 'A'



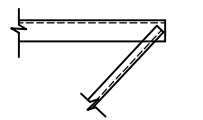
1.1KV PIN INSULATOR  
WITH PIN



PLAN OF FRAME  
1NO./SET



PLAN OF BRACKET



END ELEVATION

SL. NO.	PARTICULARS	QUANTITY
1.	L.T FUSE HORN WITH TERMINAL CONNECTOR MADE OUT OF ALUMINUM ALLOY DIE CASTED HEAVY DUTY , G.I. HEX. BOLT & NUT WITH ONE SPRING WASHER & 2NO. PLAIN WASHERS.	6 SETS
2.	HEX. BRASS BOLT & NUT 25x10mm WITH 1.5mm THICK 2 NOS. PLAIN WASHERS.	6 SETS
3.	1.1KV CLASS PIN INSULATOR WITH PIN	6 NOS.
4.	LT FUSE MOUNTING FRAME 45x45x5mm	1 NO.
5.	FISH PLATE 50x6mm 240mm LONG	2 NOS.
6.	C-CLAMP OUT OF MS FLAT 20x3mm WITH HOT DIP GALVANISED WELDED WITH STUDS.	12 NOS.
7.	MS BOLT & NUT HEX. HEAD 25x10mm	1 NO.
8.	ELECTRO GALVANISED BOLTS & NUTS OF SIZES WITH 45x10mm SPRING WASHERS. 45x10mm.	24 NOS. 12 NOS.
9.	LT FUSE MOUNTING FRAME BRACKET & FISH PLATE DETAILS.	
	a. FRAME FABRICATED OUT OF	
	I. M.S.A 45x45x5 - 750mm	2 NOS.
	II. M.S.A 45x45x5 - 200mm	1 NO.
	III. M.S. FLAT 75x6mm - 240mm	1 NO.
	b. M.S.A 45x45x5 - 850mm	1 NO.
	MS FLAT 50x6mm - 240mm	1 NO.
10.	M.S. BOLTS & NUTS 16x175mm	4 NOS.
11.	L.T PIN INSULATORS SHALL CONFORM TO IS-1445/1977 AND BAKED IN TEMPERATURE CONTROLLED KILN.	

	Signatures	All dimensions are in mm unless otherwise stated.	
Chd		L.T PROTECTION KIT FOR TRANSFORMERS UPTO 100 KVA	Approved:
Sub			
	SCALE: N.T.S		DRG.NO.BESCOM/GM/QS&S/10 REV-002 DATED:24-11-2018