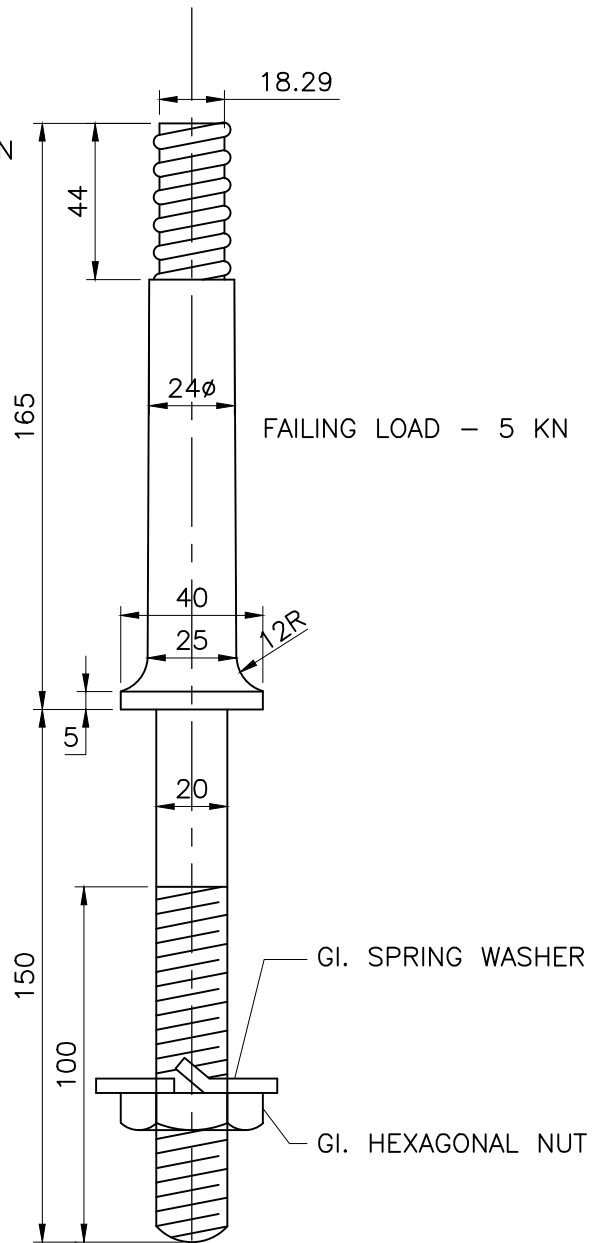
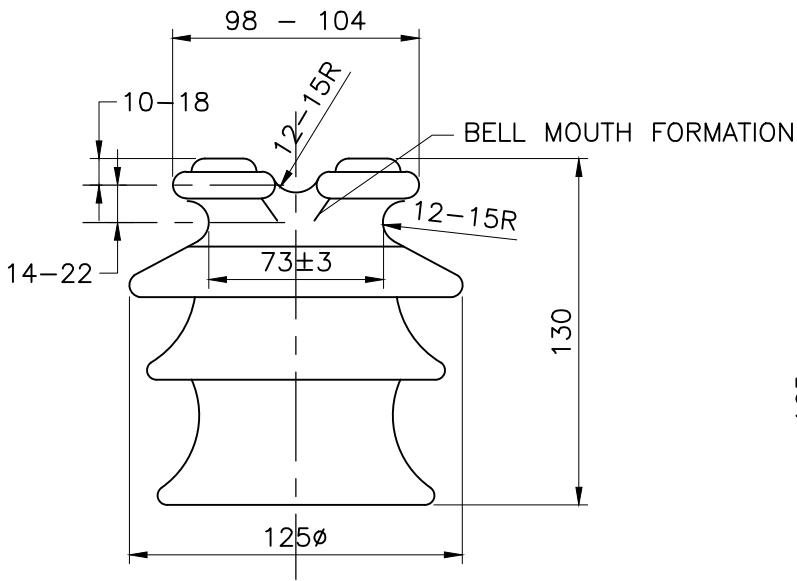




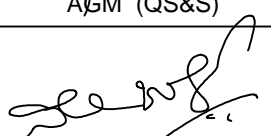
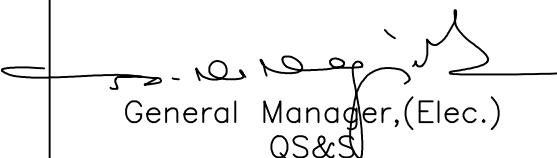
## DIMENSIONS OF 11KV PIN INSULATOR

AS PER IS - 731 & 3188.



### CREEPAGE DISTANCES

- i) HEAVILY POLLUTED ATMOSPHERE MINIMUM = 320 mm
- ii) AS PER IS - 731 & 3188.

	Signatures	All dimensions are in mm unless otherwise stated.	 <b>BESCOM</b>
Chd	 AGM (QS&S)	<b>11KV CERAMIC PIN INSULATOR WITH GI PIN (TYPE S 165P) AS PER IS:2486 Pt.II</b>	Approved:
Sub	 DGM (QS&S)		 General Manager, (Elec.) QS&S
SCALE: N.T.S			DRG.NO.BESCOM/GM/QS&S/11 REV-002      DATED:24-11-2018