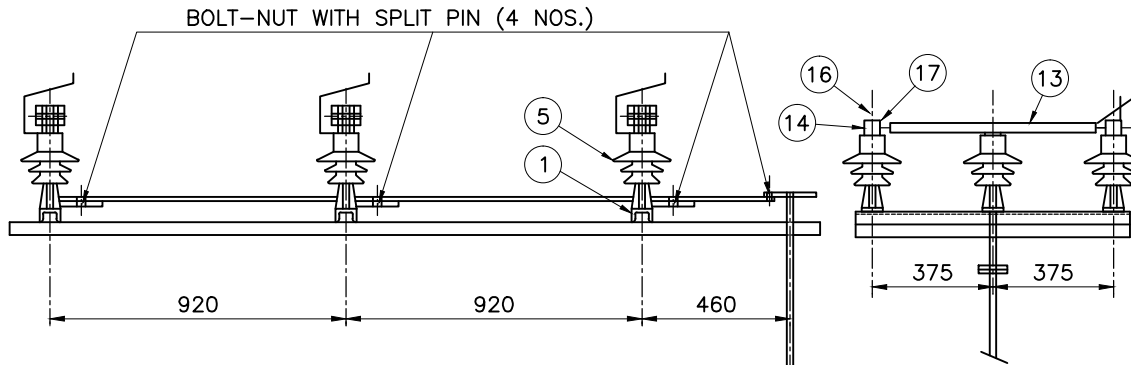
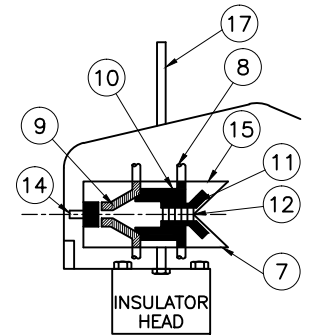


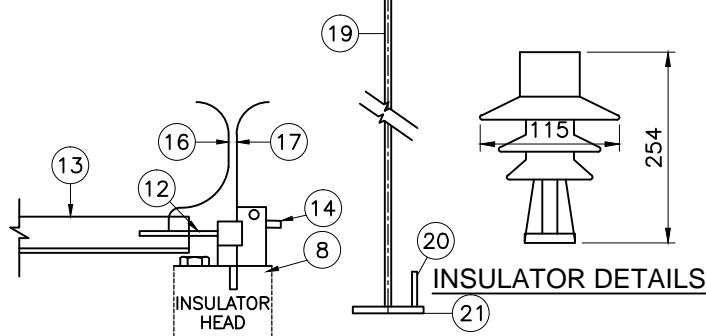
11KV 400A GOS (DOUBLE BREAK)



REAR SIDE VIEW



TOP DETAILS IN SECTIONAL ELEVATION



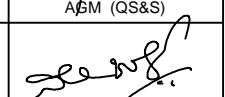
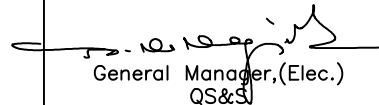


INSULATOR DETAILS

SL. NO.	DESCRIPTION	SIZE	SECTION IN mm	QUANTITY
1.	M.S CHANNEL	825mm	75x40x6	3 NO.
2.	GUN METAL BUSH (TOP) FOR SPINDLE (STANDARD PARTS NOT SHOWN IN THE DRG.)	10mm HT.	25mm $\phi$	3 NO.
3.	GUN METAL BUSH (BOTTOM) FOR SPINDLE (STANDARD PARTS NOT SHOWN IN THE DRG.)	10mm HT.	20mm $\phi$	3 NO.
4.	SPINDLE PLATE WITH SPINDLE	280mm	75x6mm	3 NO.
5.	11KV POST INSULATOR	-	-	9 NO.
6.	TOP PLATE	155mm	145x6mm	6 NO.
7.	CONTACT BOX (BOTTOM)	100mm L.3mm Th	42mm W	
8.	COPPER CONTACT PIN (TINNED)	8mm ROD	50mm L	24 NO.
9.	PHOISPHUR BRONZE COPPER STRIPS (TINNED)	110 (0.5Th.)	25mm W	48 NO.
10.	SPRING(STAINLESS STEEL)	25mm Long	10mm $\phi$	24 NO.
11.	COPPER CONTACT (TINNED)	90mm	35x6	12 NO.
12.	COPPER KNIFE (TINNED)	760mm	40x6	3 NO.
13.	MOVABLE ANGLE	580mm	45x45x5	3 NOS.
14.	LEADING FLAT, COPPER (TINNED)	190mm	40x6	6 NO.
15.	CONTACT BOX (TOP)	160mm	3mm Th. 32mm W	6 NO.
16.	MOVABLE ARCING HORN	440mm	10mm $\phi$	6 NO.
17.	FIXED ARCING HORN	300mm	10mm $\phi$	6 NO.
18.	HORIZONTAL G.I PIPE	2450mm	25mm $\phi$ B-CLASS	1 NO.
19.	VERTICAL G.I PIPE	5400mm	25mm $\phi$ B-CLASS	1 NO.
20.	HANDLE PIPE	500mm	25mm $\phi$ B-CLASS	1 NO.
21.	LOCKING ARRANGEMENT	PLATES 6mm	210x90, 100x90 360x90, 300x50	4 NO.
22.	NUT & BOLTS 80 x 10mm - 24 NO, 25mm LONG- 5 NO, 30mm - 18 NO, 32mm LONG - 60 NO. ABOVE MENTIONED NUT & BOLTS ARE 10mm $\phi$			
23.	64 x 12mm - 4 NO. ABOVE MENTIONED NUT & BOLTS ARE 10mm $\phi$			

NOTES:-

1. ALL DIMENSIONS ARE IN mm UNLESS OTHERWISE STATED.
2. THE INSULATORS USED IN GOS SHALL BE GOT APPROVED BEFORE PLACING THE PURCHASE ORDER.
3. ALL COPPER PARTS ARE TO BE TIN PLATED.
4. ALL BOLT NUTS USE FOR OPERATING ANGLE SHALL BE WITH SPLIT PIN.

	Signatures	All dimensions are in mm unless otherwise stated.	 <b>BESCOM</b>
Chd	 APM (QS&S)	<p>11 KV, 400A DOUBLE BREAK ISOLATOR</p>	
Sub	 DGM (QS&S)		 General Manager, (Elec.) QS&S
	SCALE: N.T.S		DRG.NO.BESCOM/GM/QS&S/22 REV-002 DATED:24-11-2018