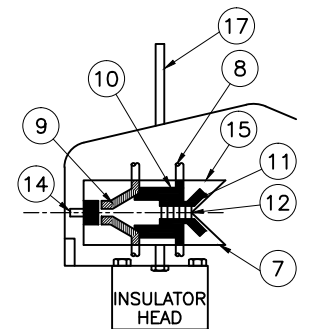
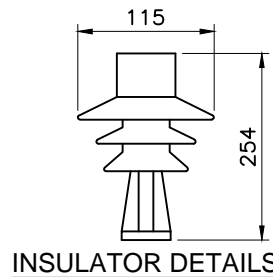
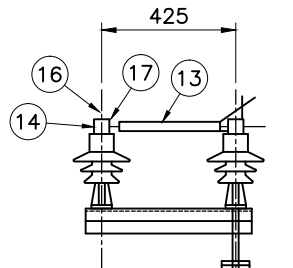
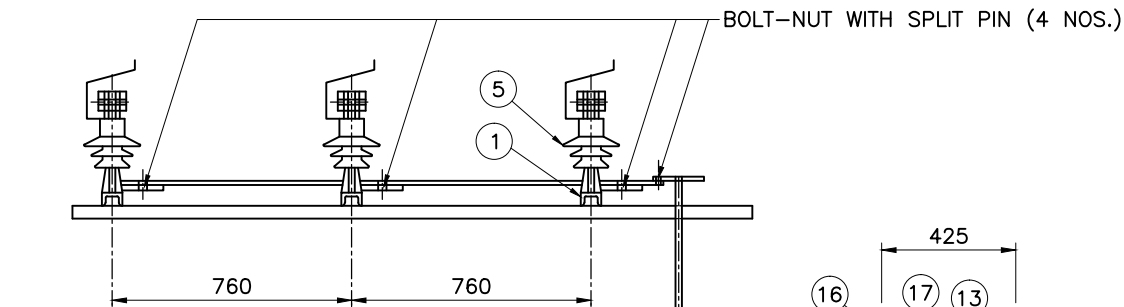
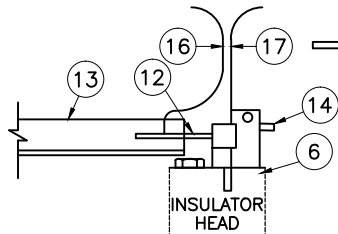


**11KV 200A GOS (SINGLE BREAK)**



**TOP DETAILS IN SECTIONAL ELEVATION**





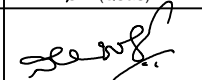
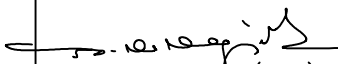
**REAR SIDE VIEW**

**INSULATOR DETAILS**

SL. NO.	DESCRIPTION	SIZE	SECTION IN mm	QUANTITY
1.	M.S CHANNEL	500mm	75x40x6	3 NOS.
2.	GUN METAL BUSH (TOP) FOR SPINDLE (STANDARD PARTS NOT SHOWN IN THE DRG.)	10mm HT.	25mm $\phi$	3 NOS.
4.	SPINDLE PLATE WITH SPINDLE	290mm	75x6mm	3 NOS.
5.	11KV POST INSULATOR	-	-	6 NOS.
6.	TOP PLATE	100mm	50x6mm	6 NOS.
7.	CONTACT BOX (BOTTOM)	110x16mm L.3mm Th	42mm W	3 NOS.
8.	COPPER CONTACT PIN (TINNED)	8mm ROD	50mm L	12 NOS.
9.	PHOISPHUR BRONZE COPPER STRIPS (TINNED)	100 (0.5Th.)	25mm W	12 NOS.
10.	SPRING(STAINLESS STEEL)	25mm Long	14G	12 NOS.
11.	COPPER CONTACT (TINNED)	90mm	25x6	6 NOS.
12.	COPPER KNIFE (TINNED)	460mm	35x6	3 NOS.
13.	MOVABLE ANGLE	400mm	45x45x5	3 NOS.
14.	LEADING FLAT, COPPER (TINNED)	190mm	25x6	6 NOS.
15.	CONTACT BOX (TOP)	160mm	3mm Th. 32mm W	6 NOS.
16.	MOVABLE ARCING HORN	440mm	8mm $\phi$	3 NOS.
17.	FIXED ARCING HORN	300mm	8mm $\phi$	3 NOS.
18.	HORIZONTAL G.I PIPE	2450mm	25mm $\phi$ B-CLASS	1 NO.
19.	VERTICAL G.I PIPE	5400mm	25mm $\phi$ B-CLASS	1 NO.
20.	HANDLE PIPE	500mm	25mm $\phi$ B-CLASS	1 NO.
21.	LOCKING ARRANGEMENT	PLATES 6mm	210x90, 100x90 360x90, 300x50	4 NO.
22.	<b>NUT &amp; BOLTS</b> 80 x 10mm - 24 NO, 25mm LONG- 5 NO, 30mm - 18 NO, 32mm LONG - 60 NO. ABOVE MENTIONED NUT & BOLTS ARE 10mm $\phi$			
23.	64 x 12mm - 4 NO. ABOVE MENTIONED NUT & BOLTS ARE 10mm $\phi$			

**NOTES:-**

1. ALL DIMENSIONS ARE IN mm UNLESS OTHERWISE STATED.
2. THE INSULATORS USED IN GOS SHALL BE GOT APPROVED BEFORE PLACING THE PURCHASE ORDER.
3. ALL COPPER PARTS ARE TO BE TIN PLATED.
4. ALL BOLT NUTS USE FOR OPERATING ANGLE SHALL BE WITH SPLIT PIN.

Signatures		All dimensions are in mm unless otherwise stated.	 <b>BESCOM</b>	
Chd		<b>11 KV, 200A SINGLE BREAK ISOLATOR</b>	Approved:	
Sub			 General Manager, (Elec.) QS&S	
SCALE: N.T.S			DRG.NO.BESCOM/GM/QS&S/22 REV-002 DATED:24-11-2018	