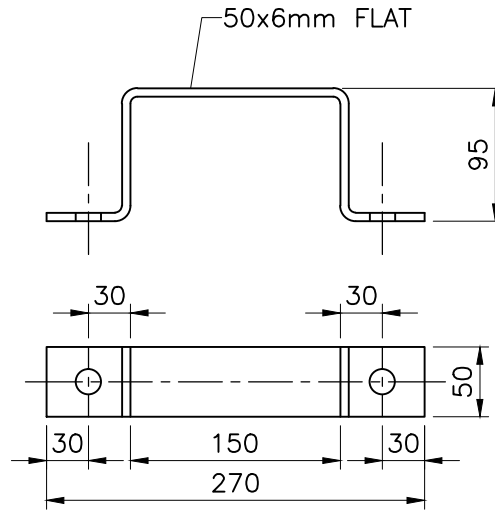


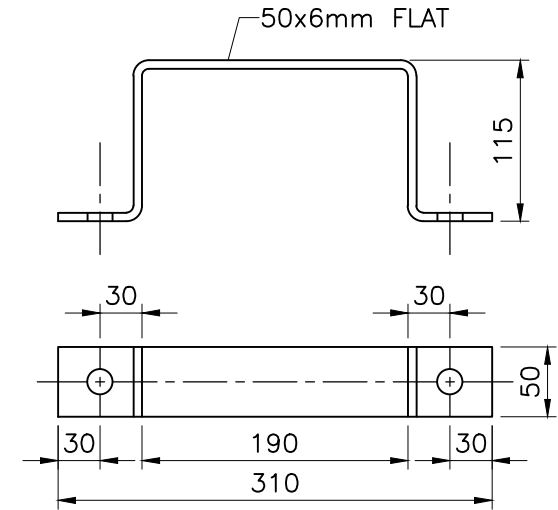
**TYPE - 'A'**

APPLICATIONS:—  
 GENERALLY FOR CROSS ARMS  
 TO BE USED UP TO 1 METER  
 FROM THE POLE TOP LEVEL.



**TYPE - 'B'**

APPLICATIONS:—  
 FOR TRANSFORMER STRUCTURE  
 AND TWO POLE STRUCTURE TO BE  
 USED BETWEEN 1 TO 2 METERS  
 FROM THE POLE TOP LEVEL.



**TYPE - 'C'**



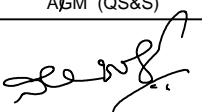
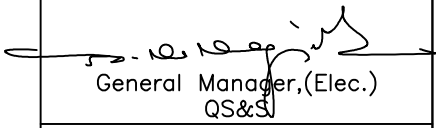
APPLICATIONS:—  
 GENERALLY FOR CROSS ARMS  
 TO BE USED UP TO 7 METERS  
 FROM THE POLE TOP LEVEL.

**NOTES:—**

1. ALL DIMENSIONS ARE IN mm.
2. ALL HOLES ARE 18mmØ FOR 16mmØ BOLTS.
3. NOT TO SCALE.

**BILL OF MATERIALS**

SR. NO.	DESCRIPTION	SECTION	LENGTH (In mm.)	Kg./Mtr.	Wt./Piece (In Kg.)
1	CROSS ARM TYPE—A	50x6	460	2.4	1.104
2	CROSS ARM TYPE—B	50x6	480	2.4	1.152
3	CROSS ARM TYPE—C	50x6	560	2.4	1.344

	Signatures	All dimensions are in mm unless otherwise stated.	 <b>BESCOM</b>
Chd	 AGM (QS&S)	<b>DETAILS OF            CLAMPS FOR            RCC POLES            (8 / 9 Mtr.)</b>	
Sub	 DGM (QS&S)		 General Manager, (Elec.) QS&S
SCALE: N.T.S			DRG.NO.BESCOM/GM/QS&S/30 REV-002 DATED:24-11-2018