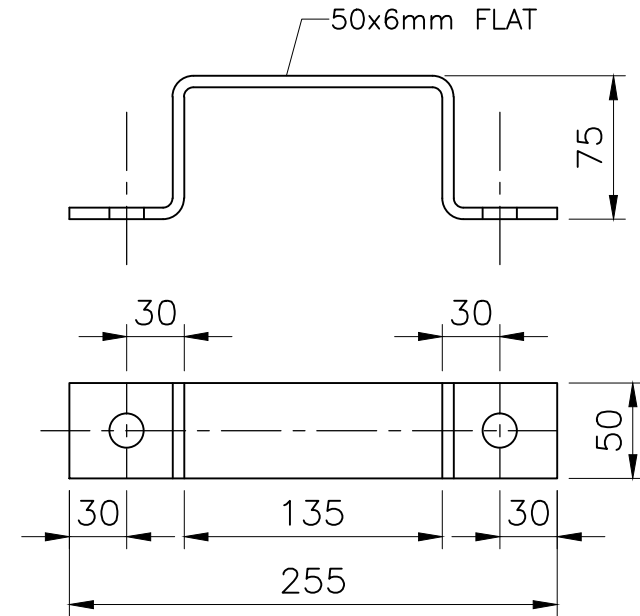


**TYPE - 'A'**

APPLICATIONS:—  
FOR L.T CROSS ARMS AND  
V- SHAPE CROSS ARMS.



**TYPE - 'B'**


APPLICATIONS:—  
FOR L.T CROSS ARMS WHEN RUN  
UNDER H.T LINE

**NOTES:—**

1. ALL DIMENSIONS ARE IN mm.
2. ALL HOLES ARE 18mm $\phi$  FOR 16mm $\phi$  BOLTS.
3. NOT TO SCALE.

**BILL OF MATERIALS**

SR. NO.	DESCRIPTION	SECTION	LENGTH (In mm.)	Kg./Mtr.	Wt./Piece (In Kg.)
1	CROSS ARM TYPE-A	50x6	415	2.4	0.996
2	CROSS ARM TYPE-B	50x6	425	2.4	1.02

	Signatures	All dimensions are in mm unless otherwise stated.	 <b>BESCOM</b>
Chd	<i>[Signature]</i> AGM (QS&S)	<p style="text-align: center;"><b>DETAILS OF CLAMPS FOR PSCC POLES (140 Kg.WL.)</b></p>	
Sub	<i>[Signature]</i> DGM (QS&S)		<i>[Signature]</i> General Manager, (Elec.) QS&S
SCALE: N.T.S			DRG.NO.BESCOM/GM/QS&S/31 REV-002 DATED:24-11-2018