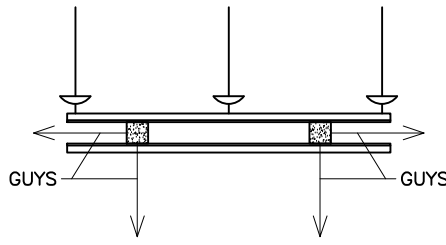
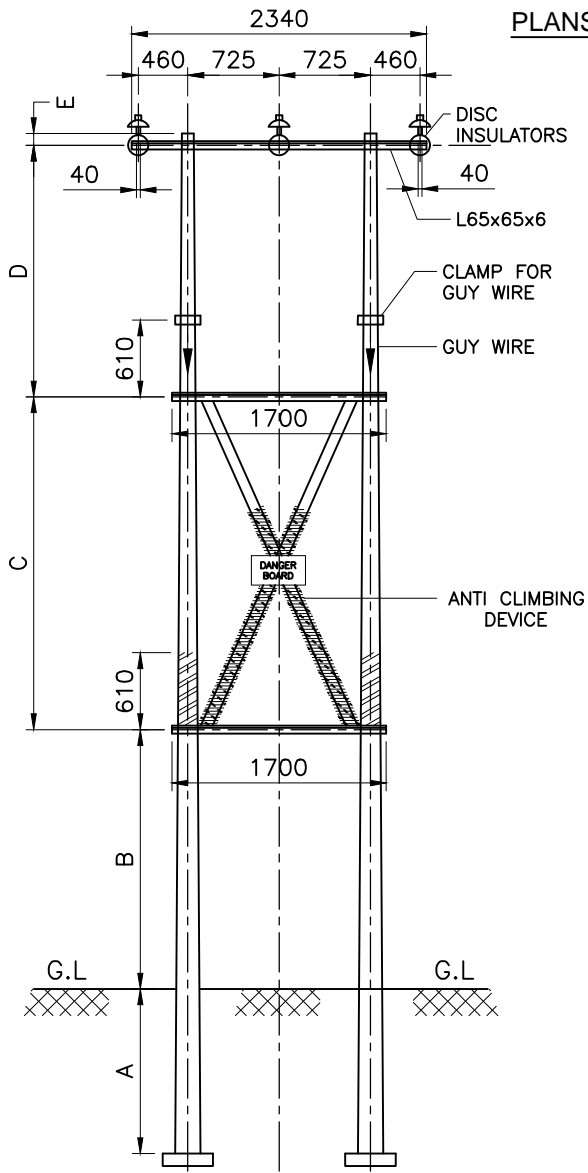
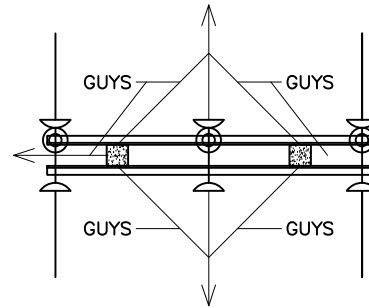


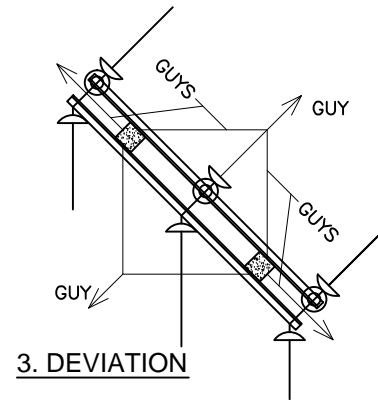
PLANS SHOWING THE ARRANGEMENT OF GUYS.



1. DEAD END



2. STRAIGHT LINE



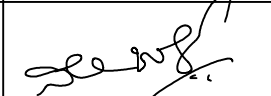


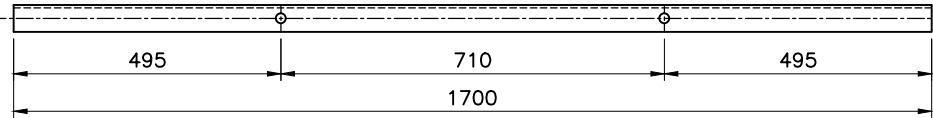
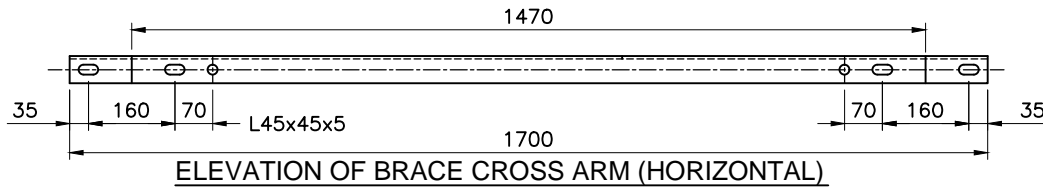
3. DEVIATION

NOTES:-

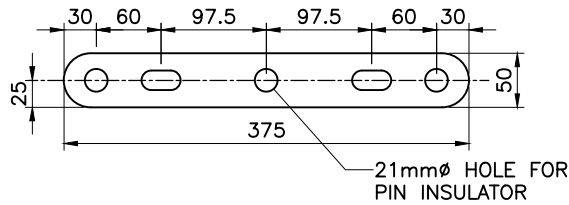
1. ALL METALLIC HARDWARE SHOULD BE SECURELY INTERCONNECTED WITH THE GROUNDING.
2. BREAK INSULATORS FOR THE GUYS ARE TO BE PROVIDED AT HEIGHT OF 3 MTRS. FROM THE GROUND LEVEL.
3. EITHER TWO LINE GUYS OR ONE 'Y' GUY AS SHOWN MAY BE PROVIDED.

SIZE OF POLE	A	B	C	D	E
8.0M	1340	2510	2500	1550	100
9.0M	1700	3350	2500	1550	100

	Signatures	All dimensions are in mm unless otherwise stated.	 BESCOM Approved:
Chd	 AGM (QS&S)	DETAILS OF DOUBLE POLE STRUCTURE USING RCC POLES BOM-1A (SHEET 1 OF 2)	
Sub	 DGM (QS&S)		DRG.NO.BESCOM/GM/QS&S/35 REV-002 DATED:24-11-2018
SCALE: N.T.S			



MATERIAL: 50x50x6mm M.S FLAT QUANTITY 2 NOS. SCALE- 1:10



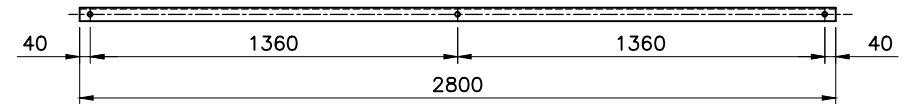
STRAIN PLATE (FISH PLATE)
(FOR STAINING POINTS)

MATERIAL: 50x8 mm M.S FLAT QUANTITY 3 NOS. SCALE- 1:5

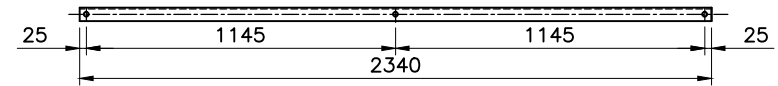
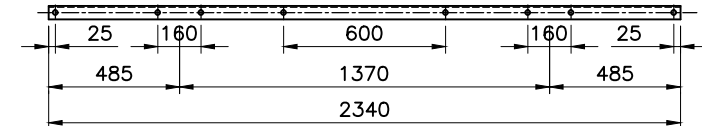
CODE MARK	PARTICULARS	QTY.	TOTAL WT./SET KG.	16 ϕ HEX. BOLT & NUT	QTY.	20 ϕ 'A' CLASS GI PIPE
DP-1	H.T POWER CROSS ARM OUT OF 65x65x6 M.S.ANGLE 2.34 Mtr.	2 NOS.	27.14	175mm LONG 50mm	6NOS. 6NOS.	120mm LONG 2NOS. 60mm 3NOS.
DP-2	BRACE CROSS ARM 50x50x6 HORIZONTAL MEMBER 1.7Mtr. LONG	2 NOS.	15.30	65mm LONG	8NOS.	-
DP-3	BRACE CROSS ARM 50x50x6 CROSS MEMBER 2.8 Mtr. LONG	2 NOS.	25.20	50mm LONG	5NOS.	-
DP-4	STRAIN PLATE 375mm LONG M.S FLAT 50x8mm	3 NOS.	3.49	-	-	-

NOTES:-

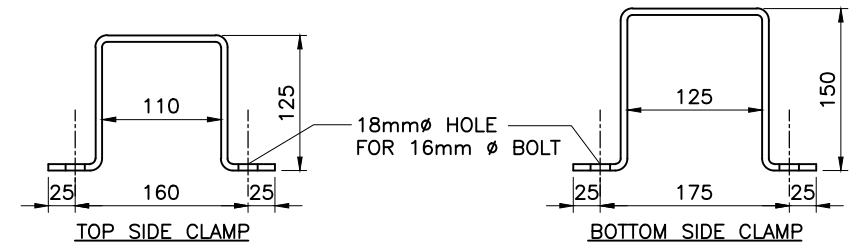
- ALL HOLES ARE 18mm ϕ
- ALL SLOTTED HOLES ARE 10x36mm.
- THE WEIGHTS GIVEN FOR RAW MATERIALS ARE AS PER ISI STRUCTURAL STEEL HAND BOOK.





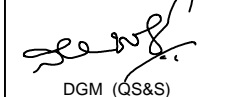
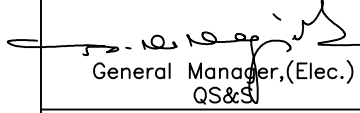
MATERIAL: 50x50x6mm M.S ANGLE QUANTITY 2 NOS. SCALE- 1:20



MATERIAL: 65x65x6mm M.S ANGLE QUANTITY 2 NOS. SCALE- 1:20



RCC CLAMP FOR FIXING BRACE CROSS ARM

	Signatures	All dimensions are in mm unless otherwise stated.	 BESCOM
Chd	 AGM (QS&S)	DETAILS OF DOUBLE POLE STRUCTURE USING RCC POLES BOM-1A (SHEET 2 OF 2)	Approved:
Sub	 DGM (QS&S)		 General Manager, (Elec.) QS&S
	SCALE: N.T.S		DRG.NO.BESCOM/GM/QS&S/35 REV-002 DATED:24-11-2018