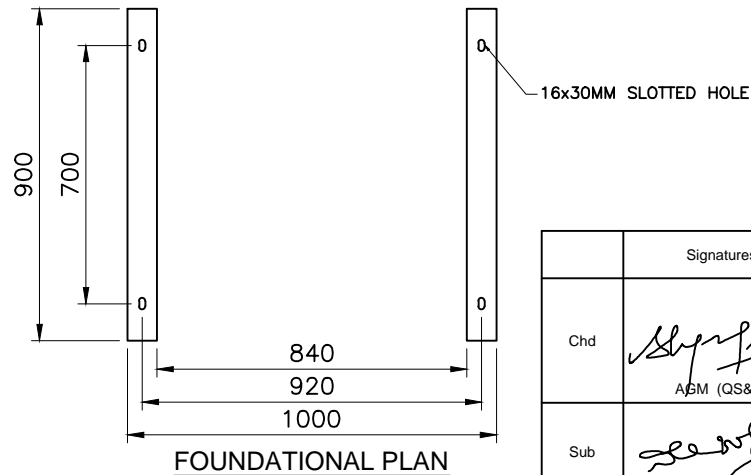


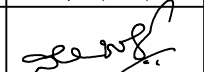
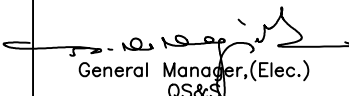


PROTECTIVE MESH VIEW for ref.

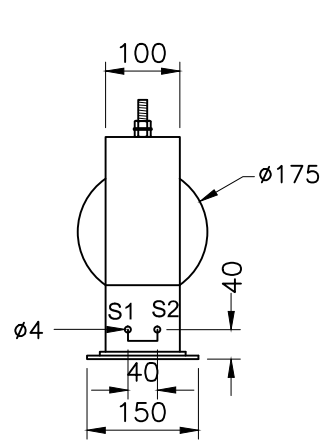


NOTES:-

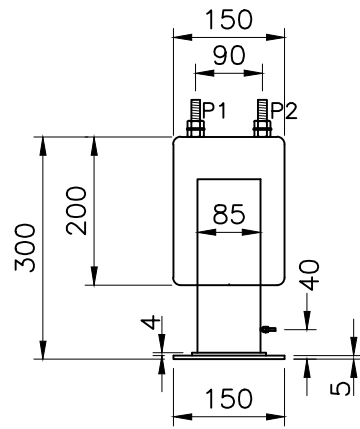
1. THE PROTECTIVE MESH TO BE PROVIDED FOR CT & PT CHAMBER, CABLE ENTRY AND OUTGOING/LOAD SIDE CHAMBERS.

Signatures		All dimensions are in mm unless otherwise stated.	 BESCOM
Chd	 APM (QS&S)		
Sub	 DGM (QS&S)	 General Manager, (Elec.) QS&S	
SCALE: N.T.S		DRG.NO.BESCOM/GM/QS&S/39 REV-002 DATED:24-11-2018	

DRAWING FOR INDOOR 11kV CURRENT TRANSFORMER (CT)

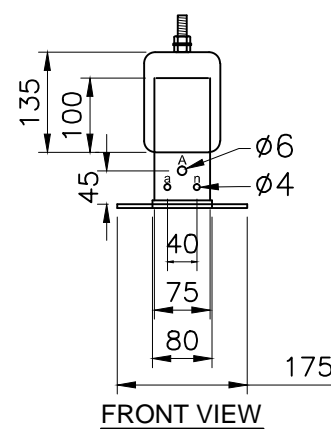


FRONT VIEW

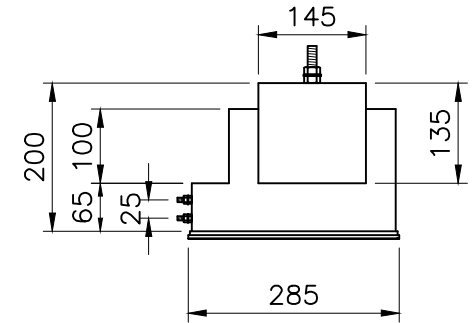


SIDE VIEW

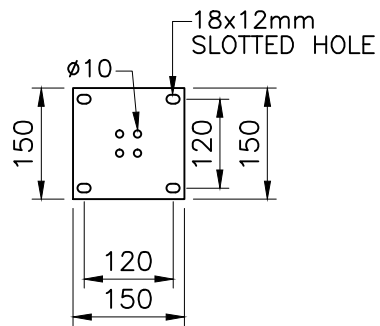
DRAWING FOR INDOOR 11kV POTENTIAL TRANSFORMER (PT)



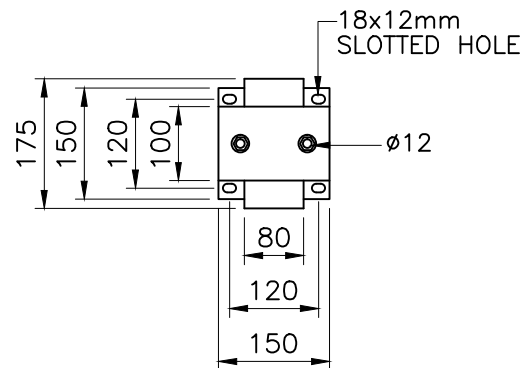
FRONT VIEW



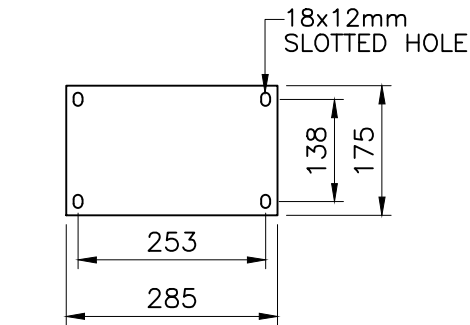
SIDE VIEW



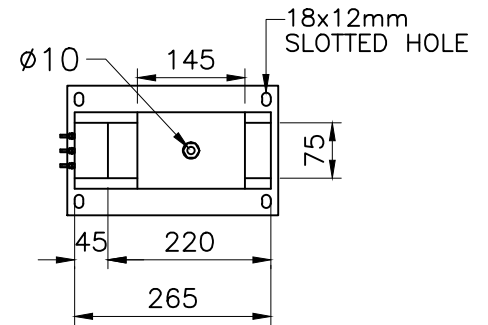
BASE PLATE DIMENSION





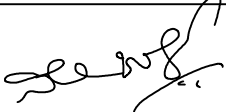
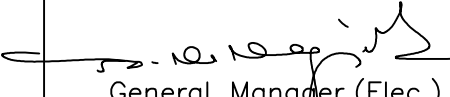
TOP VIEW



BASE PLATE DIMENSION



TOP VIEW

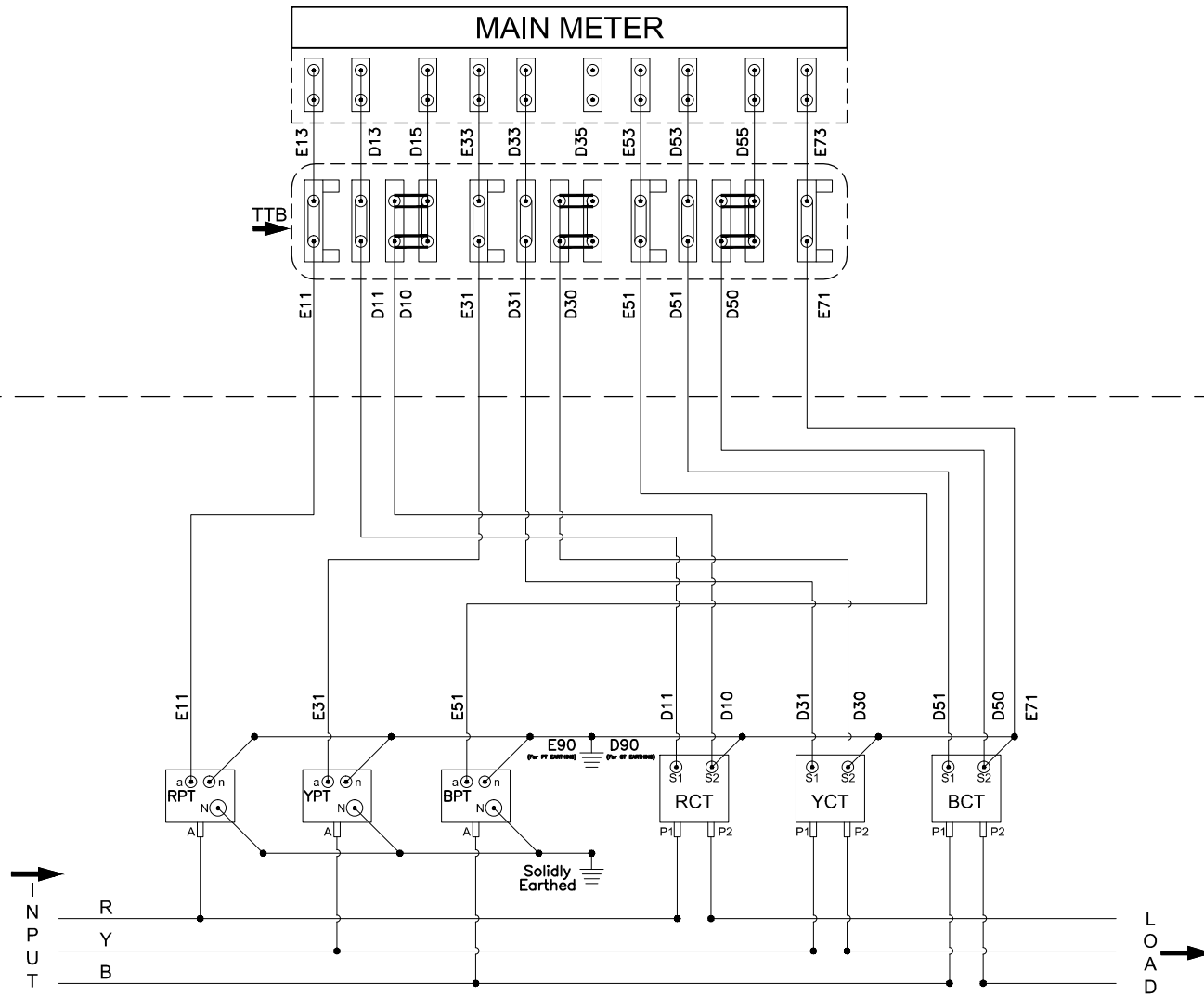
Signatures		All dimensions are in mm unless otherwise stated.	 BESCOM
Chd	 AGM (QS&S)		
Sub	 DGM (QS&S)	 General Manager, (Elec.) QS&S	
SCALE: N.T.S		DRG.NO.BESCOM/GM/QS&S/39 REV-002 DATED:24-11-2018	



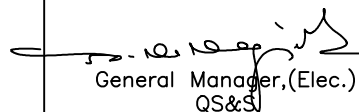
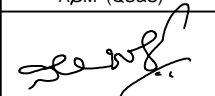
WIRING DIAGRAM FOR 11kV HT METERING (for Regular Consumer)

ANNEXURE-4

METER CHAMBER

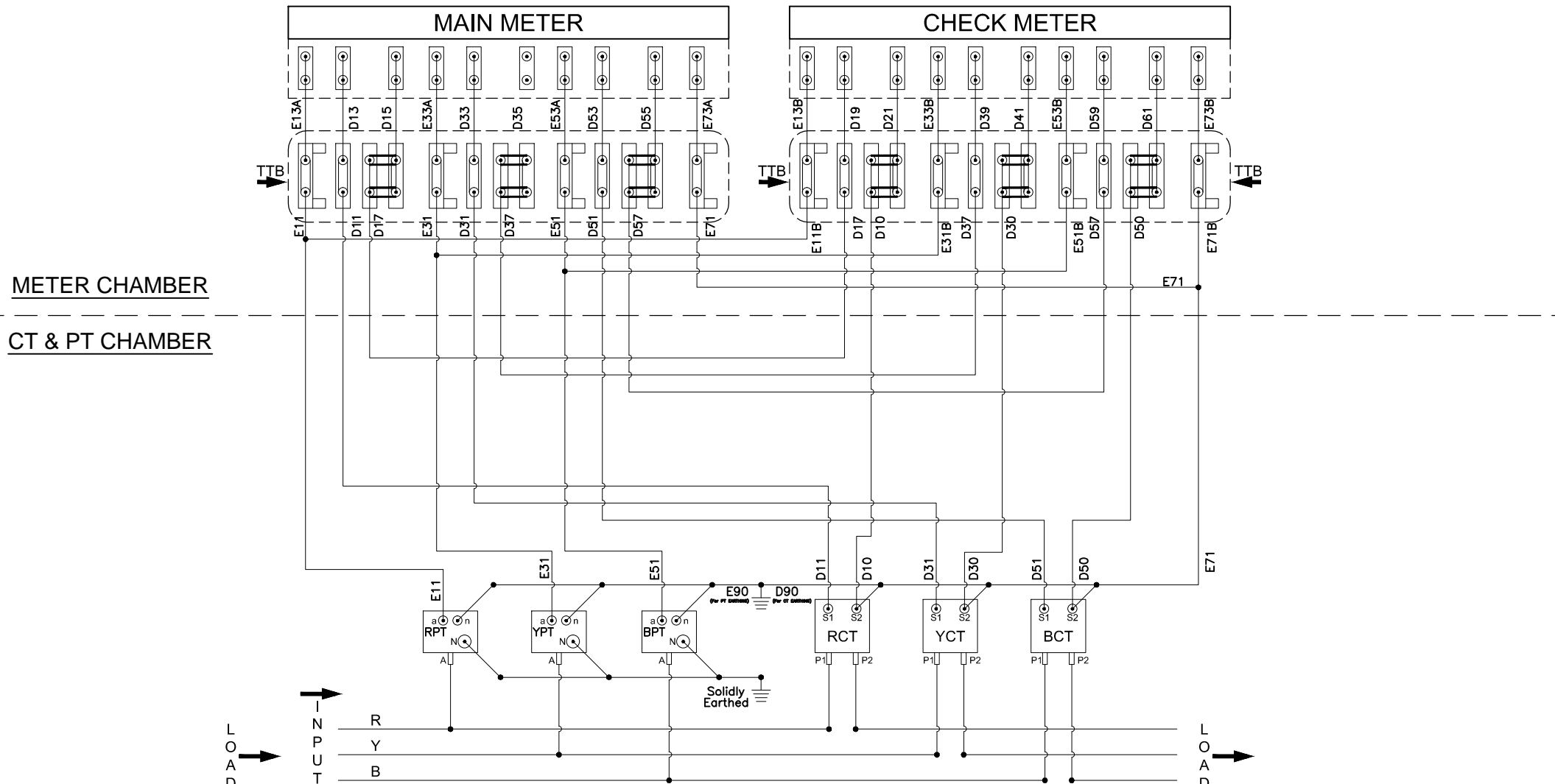
CT & PT CHAMBER



	Signatures	All dimensions are in mm unless otherwise stated.	 BESCOM
Chd	 AGM (QS&S)	3CT 3PT 11 kV HT METERING CUBICLE SHEET 3 OF 4	Approved:  General Manager, (Elec.) QS&S
Sub	 DGM (QS&S)		DRG.NO.BESCOM/GM/QS&S/39 REV-002 DATED:24-11-2018
SCALE: N.T.S			

WIRING DIAGRAM FOR EHT/HT MAIN & CHECK METER IN SERIES

ANNEXURE-5



	Signatures	All dimensions are in mm unless otherwise stated.	
Chd		3CT 3PT 11 kV HT METERING CUBICLE SHEET 4 OF 4	Approved:
Sub			
SCALE: N.T.S			DRG.NO.BESCOM/GM/QS&S/39 REV-002 DATED:24-11-2018