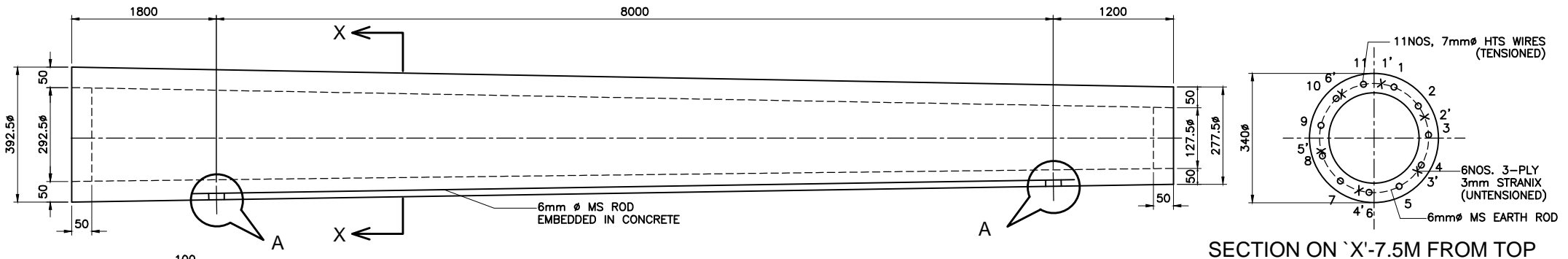
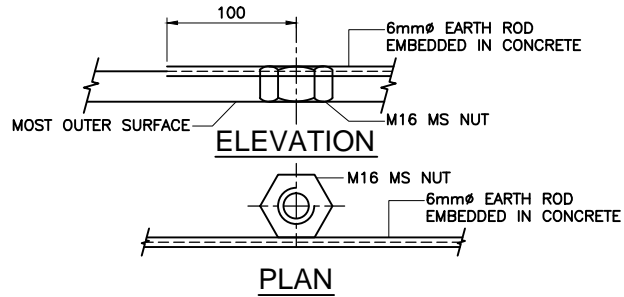


ELEVATION



ENLARGED SECTION SHOWING EARTHING ROD ARRANGEMENTS

SECTION ON 'X'-7.5M FROM TOP



DETAILS AT 'A'

INDEX OF MATERIALS

SL. NO.	DESCRIPTION	WEIGHT(Kg)
1.	CONCRETE 0.4416 - 2500Kg/m	1104.0
2.	3x3 PLY. HTS WIRES TO IS:6006-1983	3.0
3.	7mm HTS WIRES TO IS:6006-1983	36.8
4.	2.7mm HELICAL	2.8
5.	6mm EARTHING TOD TO IS:2062 GRADE 'A'	1.8

- NOTES:-**
- 7mm HTS WIRES ARE INDENTED PC WIRES TO IS:6003-1953.
 - MS REINFORCEMENTS ARE TO IS:432 PL1-1982
 - GRADE OF CONCRETE F=52 Kg/Sq.Cm (CONTROLLED CONCRETE)
 - TRANSFER STRENGTH OF CONCRETE TO BE MINIMUM 306 Kg/Sq.Cm.
 - MINIMUM CLEAR COVER FOR TENSIONED & UNTENSIONED WIRE IS 20mm.
 - 6mm MS EARTH WIRE TO BE WELDED TO M16 NUT AT 2 LOCATIONS AS SHOWN.
 - PVC INSERTS AT 600 CRS STANDARD ON OPPOSITE SIDES SHOWN.
 - CO. OF POLE IS 6M FROM BOTTOM.

	Signatures	All dimensions are in mm unless otherwise stated.	BESCOM
Chd	<i>[Signature]</i> AGM (QS&S)	11.0M LENGTH PRESTRESSED CONCRETE SPUN POLE	Approved:
Sub	<i>[Signature]</i> DGM (QS&S)		General Manager, (Elec.) QS&S
SCALE: N.T.S			DRG.NO.BESCOM/GM/QS&S/45 REV-002 DATED:24-11-2018