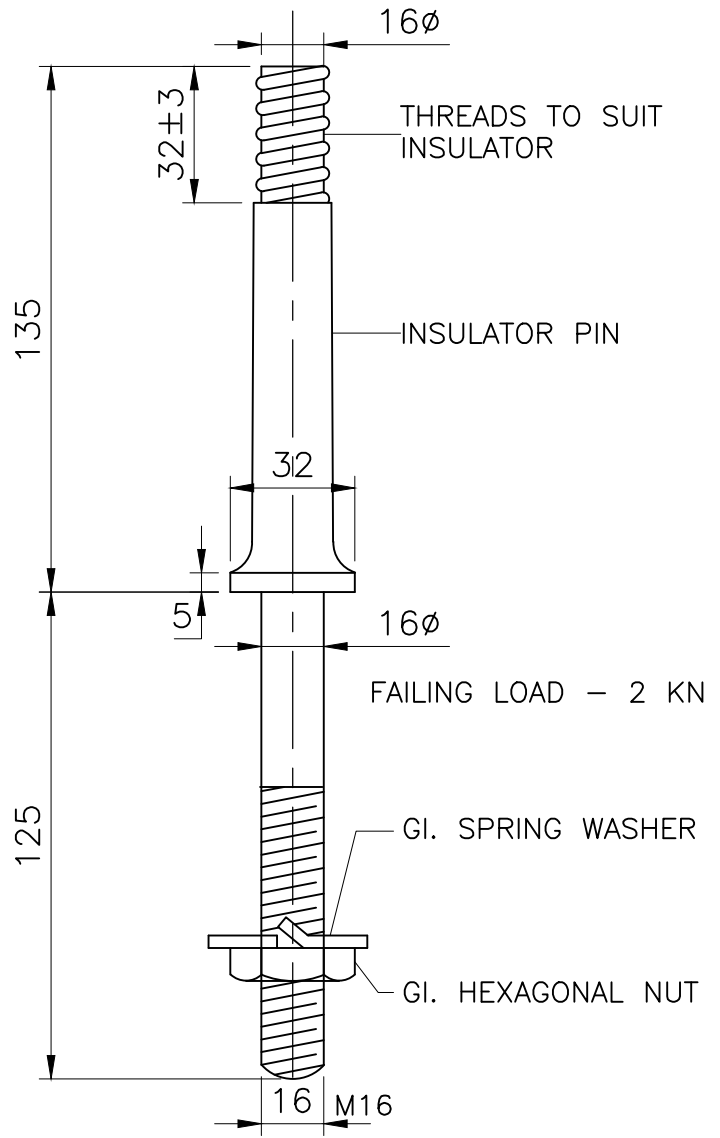


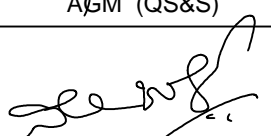
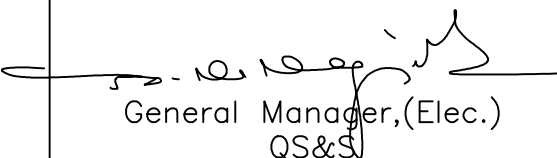


**DETAILS OF FORGED INSULATOR PIN**  
(FOR 11KV PIN INSULATOR)



**DETAILS OF FORGED INSULATOR PIN**  
(FOR 1.1KV PIN INSULATOR)

	Signatures	All dimensions are in mm unless otherwise stated.	 <b>BESCOM</b>
Chd	 AGM (QS&S)	<b>DETAILS OF GI PIN FOR 11KV &amp; 1.1KV PIN INSULATORS</b>	Approved:
Sub	 DGM (QS&S)		 General Manager, (Elec.) QS&S
	SCALE: N.T.S		DRG.NO.BESCOM/GM/QS&S/52 REV-002      DATED:24-11-2018