
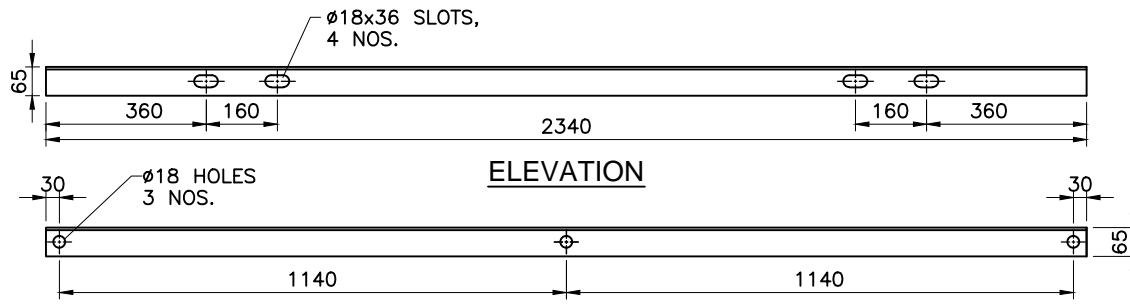
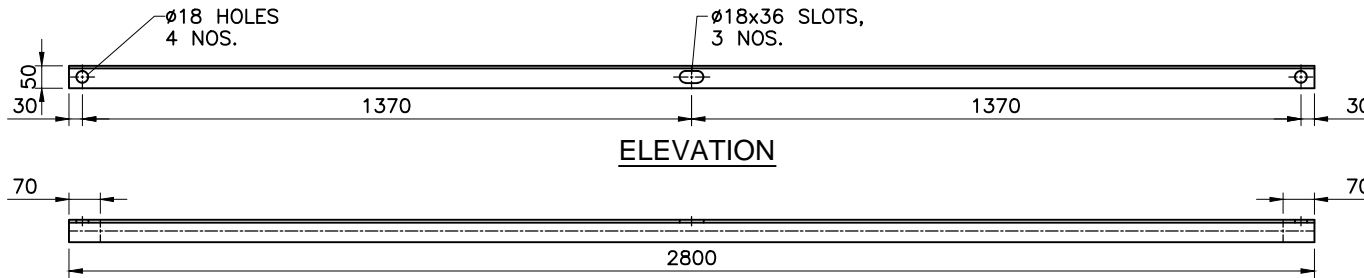


SL.NO.	DESCRIPTION	QTY. (In No.S)
1	9MTR, 300KG PSCC POLE	2NO'S
2	11KV DANGER BOARD	1NO'S
3	BELTING ANGLE	2NO'S
4	BRACING ANGLE	2NO'S
5	BACK CLAMP FOR TOP BELTING ANGLE	2NO'S
6	BACK CLAMP FOR BOTTOM BELTING ANGLE	2NO'S
7	FISH PLATE	3NO'S
8	TOP ANGLE FOR DP	2NO'S

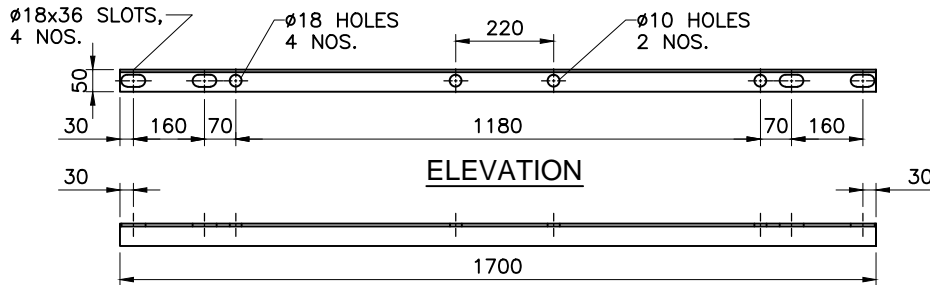
	Signatures	All dimensions are in mm unless otherwise stated.	 <b>BESCOM</b>
Chd	<i>[Signature]</i> AGM (QS&S)	<b>GENERAL ARRANGEMENT</b> <b>DRAWING FOR 11KV</b> <b>DP SET ON 9MTR</b> <b>300KG PSCC POLE</b> <b>BOM-1B</b> <b>SHEET 1 OF 3</b>	
Sub	<i>[Signature]</i> DGM (QS&S)		<i>[Signature]</i> General Manager, (Elec.) QS&S
	SCALE: N.T.S		DRG.NO.BESCOM/GM/QS&S/63 REV-002 DATED:24-11-2018



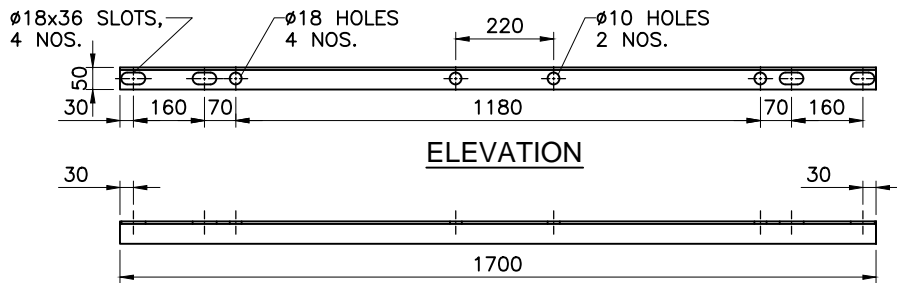
① TOP ANGLE FOR DP(65x65x6)





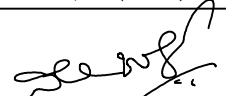
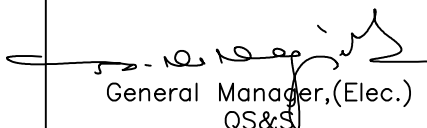
③ BRACING ANGLE (50x50x6)

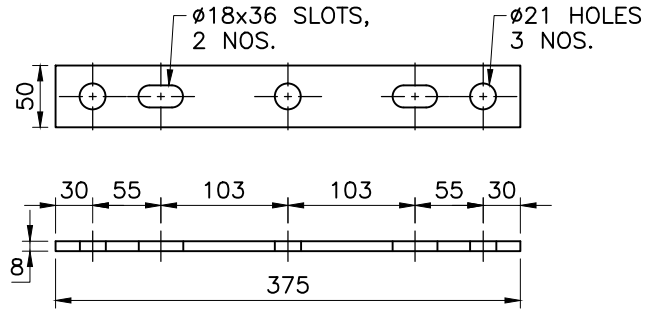


② TOP BELTING ANGLE (50x50x6)

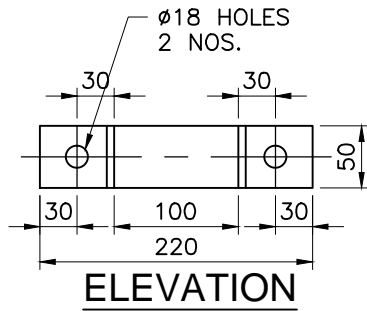


② BOTTOM BELTING ANGLE (50x50x6)

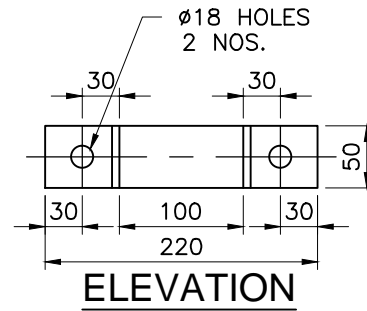
	Signatures	All dimensions are in mm unless otherwise stated.	 <b>BESCOM</b>
Chd	 AGM (QS&S)	<b>GENERAL ARRANGEMENT</b> <b>DRAWING FOR 11KV</b> <b>DP SET ON 9MTR</b> <b>300KG PSCC POLE</b> <b>BOM-1B</b> <b>SHEET 2 OF 3</b>	
Sub	 DGM (QS&S)		 General Manager, (Elec.) QS&S
	SCALE: N.T.S		DRG.NO.BESCOM/GM/QS&S/63 REV-002 DATED:24-11-2018



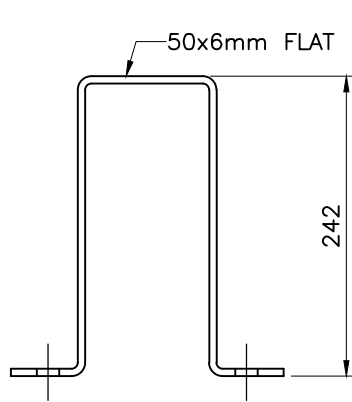
6 FISH PLATE (50x8)



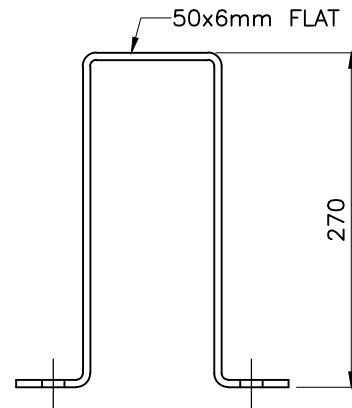
ELEVATION



ELEVATION



4 BACK CLAMP FOR TOP BELTING ANGLE (50x6)



5 BACK CLAMP FOR BOTTOM BELTING ANGLE (50x6)

BILL OF MATERIALS-1B

SL NO.	DESCRIPTION	SECTION	LENGTH (In mm.)	Kg./Mtr.	Qty	Total Wt. (In Kg.)
1	TOP ANGLE FOR DP	65x65x6	2340	5.8	2	27.14
2	TOP & BOTTOM BELTING ANGLE	50x50x6	1700	4.5	2	15.3
3	BRACING ANGLE	50x50x6	2800	4.5	2	25.20
4	BACK CLAMP FOR TOP BELTING ANGLE	50x6	710	2.4	2	3.40
5	BACK CLAMP FOR BOTTOM BELTING ANGLE	50x6	760	2.4	2	3.65
6	FISH PLATE	50x8	375	3.1	3	3.49
<b>SUB-TOTAL</b>					13	78.18
7	B/N's FROM 16x38mm to 16x230mm(Approx)				25	6.00
<b>TOTAL</b>						<b>84.18</b>

	Signatures	All dimensions are in mm unless otherwise stated.	 <b>BESCOM</b> Approved:
Chd	 AGM (QS&S)	GENERAL ARRANGEMENT DRAWING FOR 11KV DP SET ON 9MTR 300KG PSCC POLE BOM-1B	
Sub	 DGM (QS&S)	SHEET 3 OF 3	DRG.NO.BESCOM/GM/QS&S/63 REV-002 DATED:24-11-2018
		SCALE: N.T.S	