
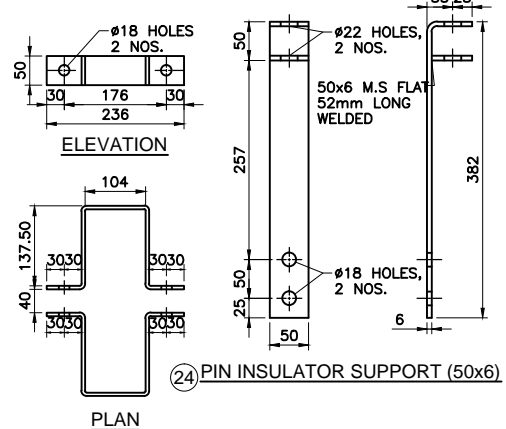
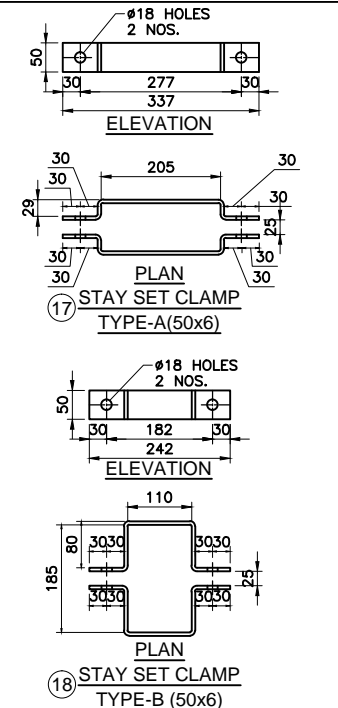
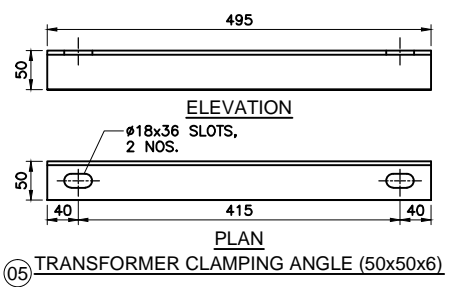
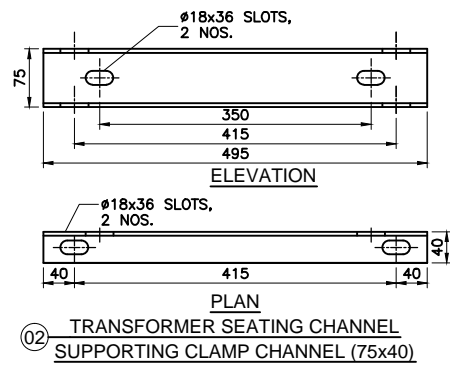
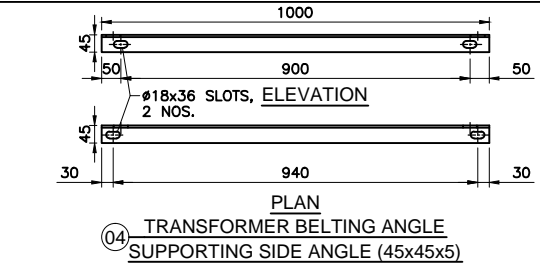
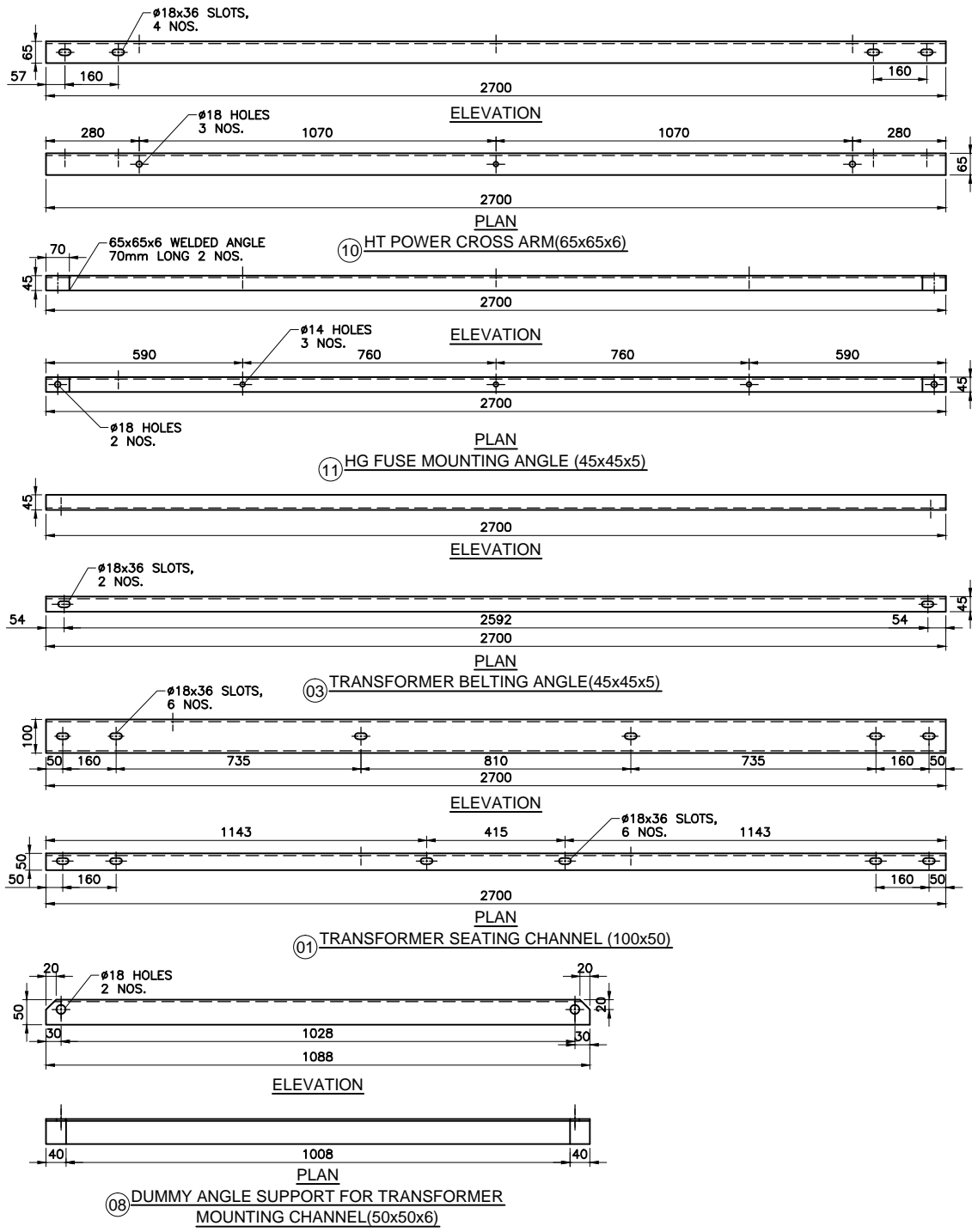


S.R. NO.	DESCRIPTION	QTY. (In Nos.)
1	9 mtr. 300kg PSCC Pole	2Nos.
2	11kV Disc Insulator	3Nos.
3	Pole Base Pad	2Nos.
4	Stay Set Arrangement	4Nos.
5	11kV Danger Board	1No.
6	Barbed Wire	As req
7	Stay Clamp Type-A	2Nos.
8	Stay Clamp Type-B	2Nos.
9	11KV GOS	1Set
10	9KA Lightning Arrester	3Nos.
11	Fish Plate	3Nos.
12	11KV HG Fuse	3Nos.
13	250KVA Transformer	1No.
14	250KVA LTDB With Clamps	1No.
15	HT Power Cross Arm	2Nos.
16	H-frame	1No.
17	Back Clamp For HG Fuse Mounting Supporting Angle	2Nos.
18	HG Fuse Mounting Angle	1No.
19	Transformer Belting Angle	2Nos.
20	Transformer Belting Supporting Side Angle	2Nos.
21	Transformer Mounting Channel	2Nos.
22	Transformer Mounting Supporting Clamp	2Nos.
23	Back Clamp for Transformer Belting Angle Supporting Side Angle	2Nos.
24	Top & Bottom Plastic Spacer Supporting Fish Plate	2Nos.
25	Back Plastic Spacer Supporting Supporting Fish Plate	1No.
26	Bottom Plastic Spacer Supporting Fish Plate	1No.
27	Back Clamp for Bottom Plastic Spacer Supporting Fish Plate	1No.
28	Dummy Angle Support For Transformer Mounting Channel	4Nos.
29	Clamp For Transformer Mounting Channel Supporting Angle	4Nos.
30	LA Mounting Angle	1No.
31	HG Fuse Mounting Angle Supporting Angle	2Nos.
32	HG Fuse Angle Bracing Angle	2Nos.
33	Back Clamp for HG Fuse Bracing Angle Supporting Angle	2Nos.
34	Pin Insulator Support	3Nos.
35	H-Frame Angle/HG Fuse Brace Supporting Angle	4Nos.
36	GOS Operating Pipe Supporting Angle	1No.
37	Back Clamp for GOS Operating Pipe Supporting Angle	1No.
38	Meter Box With Clamps	1No.

NOTE:

1) REFER BILL OF MATERIAL 2A OF CSR

	Signatures	All dimensions are in mm unless otherwise stated.	 BESCOM
Chd	<i>[Signature]</i> AGM (QS&S)	FABRICATION DETAILS FOR 250KVA 4/5 STAR DPTC STR ON 9MTR. 300KG PSCC POLE BOM-2A SHEET 1 OF 4	
Sub	<i>[Signature]</i> DGM (QS&S)		<i>[Signature]</i> General Manager, (Elec.) QS&S
	SCALE: N.T.S		DRG.NO.BESCOM/GM/QS&S/65 REV-002 DATED:24-11-2018

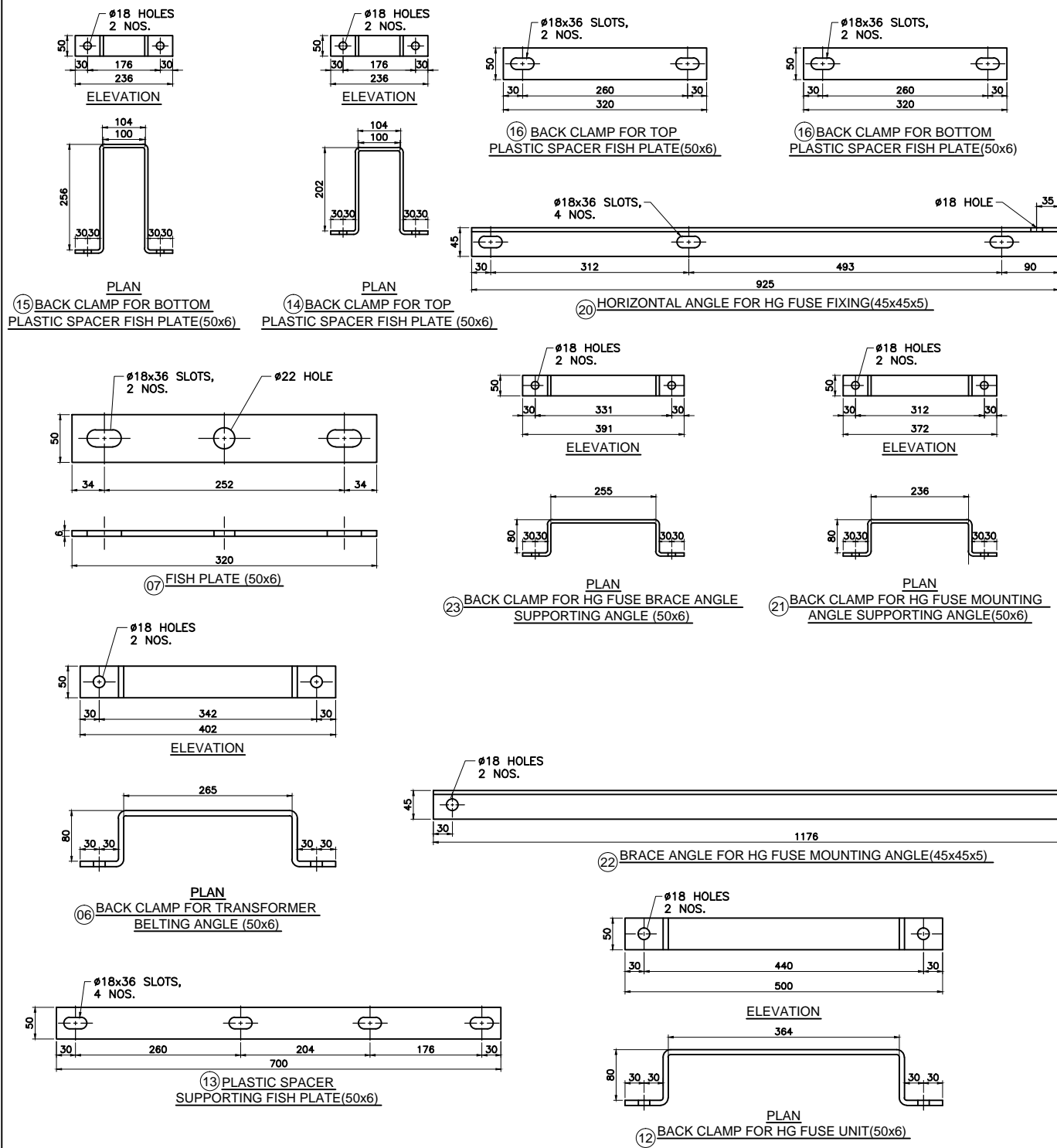


09 CLAMP FOR TRANSFORMER SEATING CHANNEL SUPPORTING ANGLE(50x6)

Signatures		All dimensions are in mm unless otherwise stated.	 BESCOM
Chd	<i>[Signature]</i> A/BM (QS&S)		
Sub	<i>[Signature]</i> DGM (QS&S)	FABRICATION DETAILS FOR 250KVA 4/5 STAR DPTC STR ON 9MTR. 300KG PSCC POLE BOM-2A SHEET 2 OF 4	Approved: General Manager, (Elec.) QS&S
SCALE: N.T.S			DRG.NO.BESCOM/GM/QS&S/65 REV-002 DATED:24-11-2018

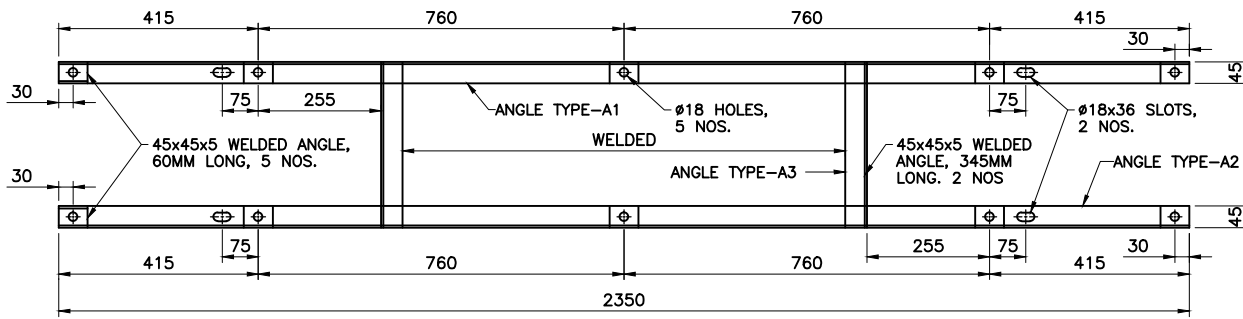
BILL OF MATERIALS - 2 A

**DPTC Structure materials suitable for mounting 250KVA Star Rated Transformers
by using PSCC 9M trs Long, 300kg WL Poles**

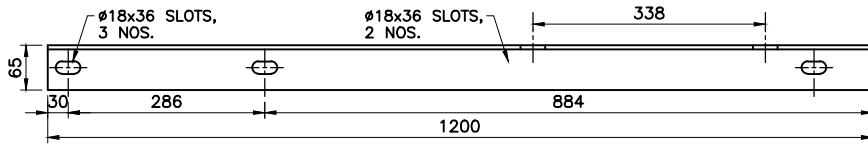


Sl. No.	Part No.	Qty in Nos	MS Angle Flat in mm	Length/Piece in mm x Nos	Wt/Mtr in Kgs	Approx wt in Kg
Transformer Seating Kit						
1	Transformer Seating Channel	2	100x50	2700	9.56	51.62
2	Transformer Seating Channel Supporting Clamping Channel	4	75x40	495	7.14	14.14
3	Transformer Belting Angle	2	45x45x5	2700	3.4	18.36
4	Transformer Belting Angle Supporting Side Angle	2	45x45x5	1000	3.4	6.80
5	Transformer Clamping Angle	2	50x50x6	495	4.5	4.46
6	Back Clamp for Transformer Belting Angle	2	50x6	557	2.4	2.67
7	Fish Plate	3	50x6	320	2.4	2.30
8	Dummy Angle Support for Transformer Mounting Channel	4	50x50x6	1088	4.5	19.58
9	Clamp for Transformer Seating Channel Supporting Angle	4	50x6	479	2.4	4.60
LA, HG Fuse Unit and Supporting Materials						
10	HT Power Cross Arm	2	65x65x6	2700	5.8	31.32
11	HG Fuse Mounting Angle	1	45x45x5	2700	3.4	9.18
	Welded Angle	2	45x45x5	70	3.4	0.48
12	Back Clamp for HG Fuse Unit	2	50x6	656	2.4	3.15
13	Plastic Spacer supporting Fish Plate	2	50x6	700	2.4	3.36
14	Back Clamp for Top Plastic Spacer Fish Plate	2	50x6	628	2.4	3.01
15	Back Clamp for Bottom Plastic Spacer Fish Plate	2	50x6	736	2.4	3.53
16	Back Clamp for Top & Bottom Plastic Spacer Fish Plate	2	50x6	320	2.4	1.54
17	Stay Set Clamp Type-A	2	50x6	395	2.4	1.90
18	Stay Set Clamp Type-B	2	50x6	390	2.4	1.87
19	LA Mounting Angle	1	50x50x6	2360	4.5	10.62
	Welded Angle	2	50x6	70	4.5	0.63
20	Horizontal Angle for HG Fuse Fixing	2	45x45x5	925	3.4	6.29
21	Back Clamp for HG Fuse Mounting Angle Supporting Angle	2	50x6	520	2.4	2.50
22	Brace Angle for HG Fuse Mounting Angle	2	45x45x5	1176	3.4	8.00
23	Back Clamp for HG Fuse Brace Angle Supporting Angle	2	50x6	539	2.4	2.59
24	Pin Insulator Support	3	50x6	382	2.4	2.75
	Welded Angle	3	50x6	52	2.4	0.37
11kV H Frame Set details						
25	Angle Type A1& A2	2	45x45x5	2350	3.4	15.98
	Welded Angle	10	45x45x5	60	3.4	2.04
	Angle Type A3	2	45x45x5	345	3.4	2.35
26	Horizontal Angle for H-Frame	2	65x65x6	1200	5.8	13.92
27	Brace Angle for H-Frame Fixing	2	45x45x5	1330	3.4	9.04
28	GOS Operating Pipe Supporting Angle	1	45x45x5	1200	3.4	4.08
29	Back Clamp For H-Frame Brace Angle Supporting Angle	4	50x6	514	2.4	4.93
30	Back Clamp For Horizontal Angle For H-Frame Fixing	2	50x6	490	2.4	2.35
31	Back Clamp For GOS Operating Pipe Supporting Angle	1	50x6	580	2.4	1.39
32	H-Frame Brace Angle Supporting Angle	2	45x45x5	406	3.4	2.76
TOTAL a) Structure Steel						276.47
MS Bolts & Nuts Full Thread Including H Frame						
33	For Transformer & Kit	16	M16x40mm		0.166	2.66
		8	M16x140mm		0.313	2.50
		2	M16x100mm		0.249	0.50
		26	M16x65mm		0.195	5.07
		4	M16x230mm		0.456	1.82
34	For H-Frame	6	M16x80mm		0.217	1.30
		2	M16x40mm		0.166	0.33
		4	M16x90mm		0.233	0.93
		10	M16x65mm		0.195	1.95
TOTAL b) Bolt and Nut Full Thread						17.07

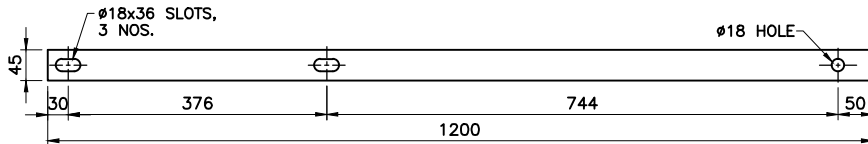
Signatures	All dimensions are in mm unless otherwise stated.	 Approved: _____ General Manager, (Elec.) QS&S
Chd _____ AGM (QS&S)	FABRICATION DETAILS FOR 250KVA 4/5 STAR DPTC STR ON 9MTR. 300KG PSCC POLE BOM-2A SHEET 3 OF 4	
Sub _____ DGM (QS&S)	SCALE: N.T.S	DRG.NO.BESCOM/GM/QS&S/65 REV-002 DATED:24-11-2018



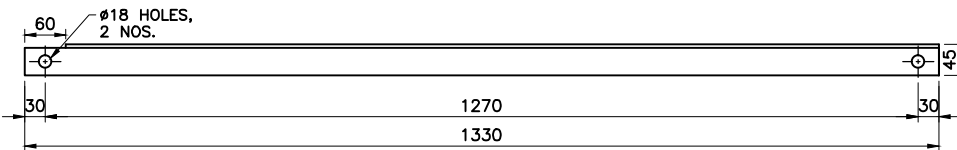
25 H-FRAME ANGLE TYPE-A1 & A2



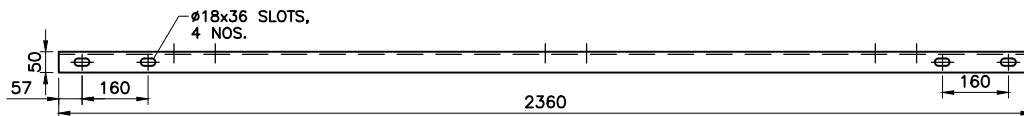
26 HORIZONTAL ANGLE FOR H-FRAME FIXING(65x65x6)



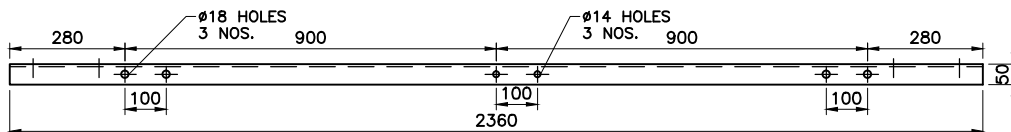
28 GOS OPERATING PIPE SUPPORTING ANGLE(45x45x5)



27 BRACE ANGLE FOR H-FRAME FIXING(45x45x5)

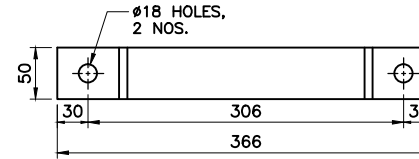


ELEVATION

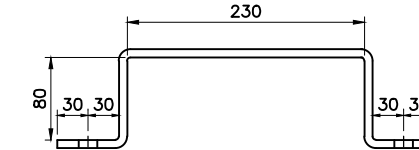


PLAN

19 LA MOUNTING ANGLE(50x50x6)

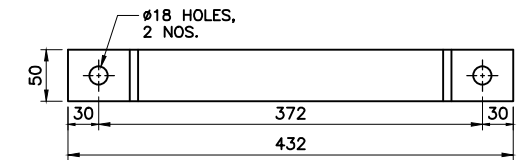


ELEVATION

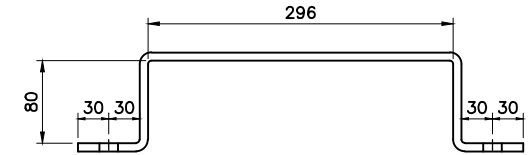


PLAN

29 BACK CLAMP FOR H-FRAME BRACE ANGLE SUPPORTING ANGLE (50x6)

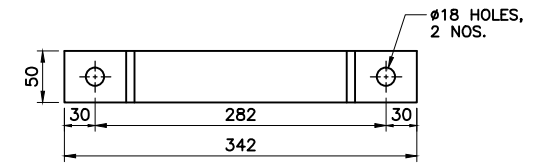


ELEVATION

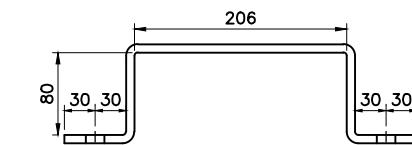


PLAN

31 BACK CLAMP FOR GOS OPERATING PIPE SUPPORTING ANGLE (50x6)

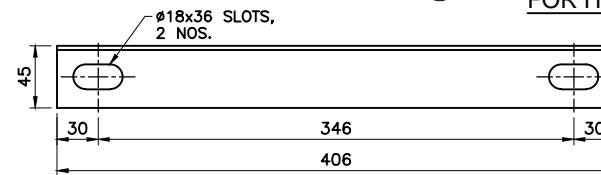


ELEVATION




PLAN

30 BACK CLAMP FOR HORIZONTAL ANGLE FOR H-FRAME FIXING (50x6)



32 H-FRAME ANGLE SUPPORTING ANGLE (45x45x5)

	Signatures	All dimensions are in mm unless otherwise stated.	 BESCOM
Chd	<i>[Signature]</i> A/BM (QS&S)	FABRICATION DETAILS FOR 250KVA 4/5 STAR DPTC STR ON 9MTR. 300KG PSCC POLE BOM-2A	
Sub	<i>[Signature]</i> DGM (QS&S)	SHEET 4 OF 4	DRG.NO.BESCOM/GM/QS&S/65 REV-002 DATED:24-11-2018
SCALE: N.T.S			