

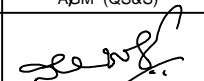

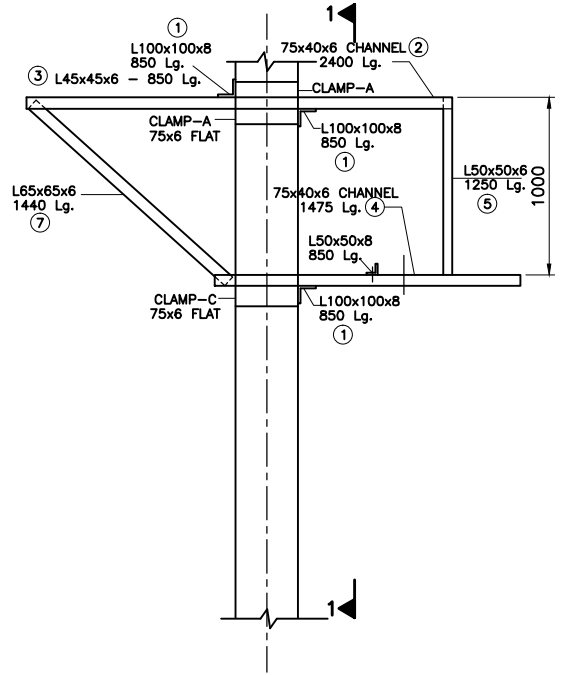
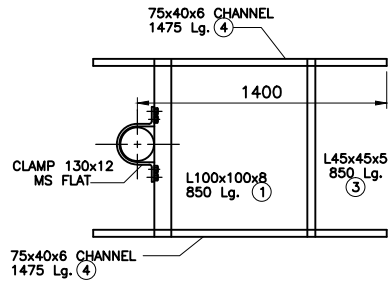
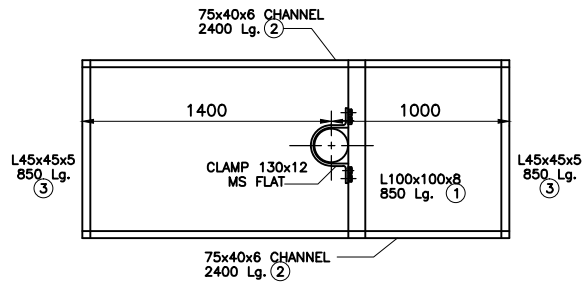


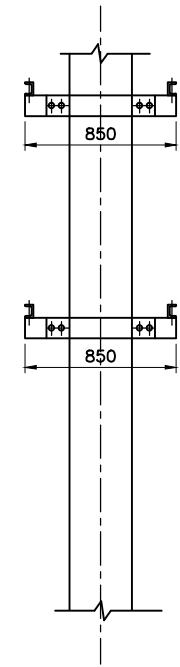
NOTES:-

1. DETAILS OF MOUNTING OF GOS, L.A., H.G.FUSE AND TRANSFORMER ARE SHOWN IN SHEET-2.
2. ALL HOLES ARE 18mm ϕ FOR 16mm ϕ BOLTS

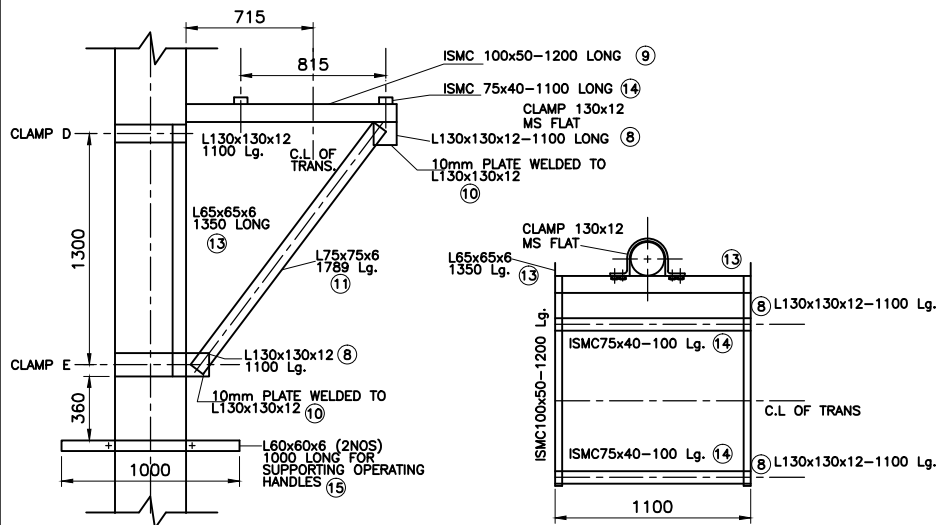
	Signatures	All dimensions are in mm unless otherwise stated.	 BESCOM
Chd	 AGM (QS&S)	1 GOS SYSTEM WITH TRANSFORMER SEATING ANGLE ON 11M LONG TUBULAR SPUN CONCRETE POLE FOR 25 KVA TRS BOM-9 (SHEET 1 OF 3)	Approved:
Sub	 DGM (QS&S)		 General Manager, (Elec.) QS&S
SCALE: N.T.S			DRG.NO.BESCOM/GM/QS&S/66 REV-002 DATED:24-11-2018



SIDE VIEW




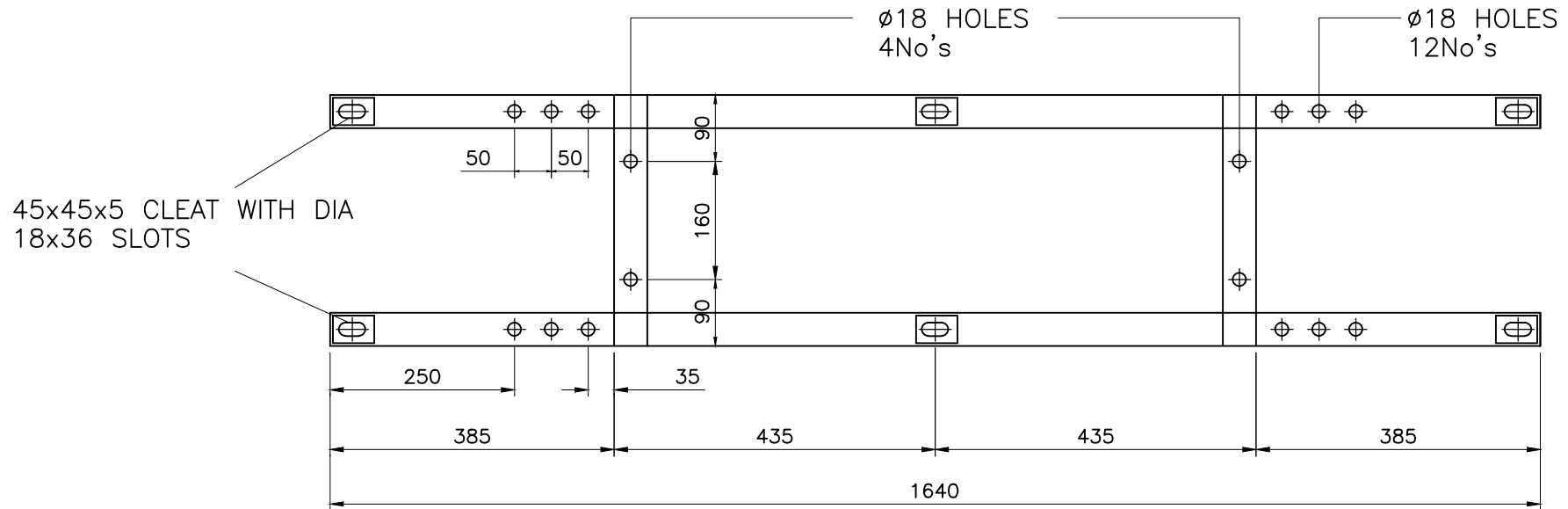
SECTION-1-1



SIDE VIEW

SECTION-XX

Signatures		All dimensions are in mm unless otherwise stated.	 BESCOM
Chd	<i>[Signature]</i> AGM (QS&S)		
Sub	<i>[Signature]</i> DGM (QS&S)	<i>[Signature]</i> General Manager, (Elec.) QS&S	
SCALE: N.T.S		DRG.NO.BESCOM/GM/QS&S/66 REV-002 DATED:24-11-2018	



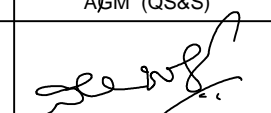
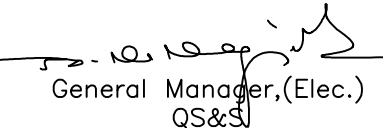


14 H-FRAME

BILL OF MATERIALS - 9

SPMT For OH line (Having Single H Frame with Transformer seating and seating angle support x-arm) for 11mtr Spun Pole for 25KVA Transformer.

Sl No	Size of the steel section	Length (in mm)	Qty (in Nos)	Kgs/M tr	Total Wt
TOP Bracket					
1	100x100x8mm MS Angle	850	3	12.10	30.86
2	75x40x4.8mm MS Channel (MC75/MCP75)	2400	2	7.14	34.27
3	45x45x5mm MS Angle	850	3	3.40	8.67
4	75x40x4.8mm MS Channel (MC75/MCP75)	1475	2	7.14	21.06
5	50x50x6mm MS Angle	1000	2	4.50	9.00
6	65x65x6mm MS Angle	1440	2	5.80	16.70
Transformer Center					
7	130x130x12mm Angle	1110	1	23.40	25.97
8	100x50x5mm MS Channel (MC100/MCP100)	1200	2	9.56	22.94
9	130x130x12mm MS Angle (with side plate)	1110	2	23.40	51.95
10	75x75x6mm MS Angle	1789	2	6.80	24.33
11	65x65x6mm MS Angle	1350	2	5.80	15.66
12	75x40x4.8mm MS Channel (MC75/MCP75)	1110	2	7.14	15.85
GOS Mounting Structure (Ladder)					
13	45x45x5mm MS Angle	1640	2	3.40	11.15
14	45x45x5mm MS Angle (Cleat)	60	6	3.40	1.22
15	40x40x5mm MS Angle	335	2	3.00	2.01
16	Round clamps of different sizes made out of MS flats suitable for fixing the above structural materials to the pole.				
	a) 75x6 MS Flat	1000	6	3.53	21.19
17	MS Hexagonal bolts, nuts Full Thread and washers of different sizes to sufficient in quantity for fixing		15kgs Approx.		15.00
Total in Kgs				327.85	

Signatures		All dimensions are in mm unless otherwise stated.	 BESCOM
Chd	 AGM (QS&S)		
Sub	 DGM (QS&S)	 General Manager, (Elec.) QS&S	
SCALE: N.T.S		DRG.NO.BESCOM/GM/QS&S/66 REV-002 DATED:24-11-2018	