

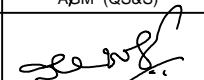

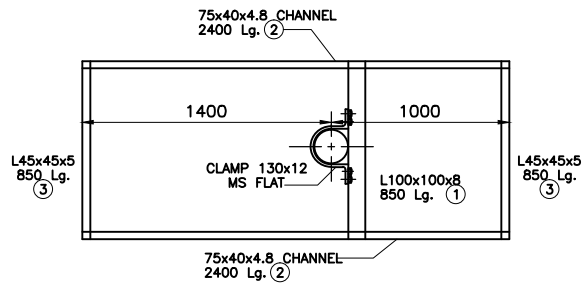


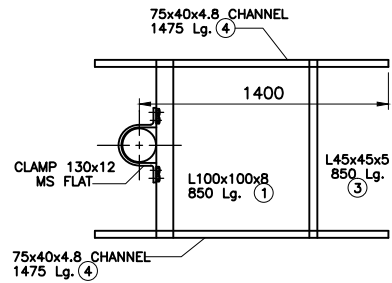
NOTES:-

1. DETAILS OF MOUNTING OF GOS, L.A., H.G.FUSE AND TRANSFORMER ARE SHOWN IN SHEET-2.
2. ALL HOLES ARE 18mm ϕ FOR 16mm ϕ BOLTS

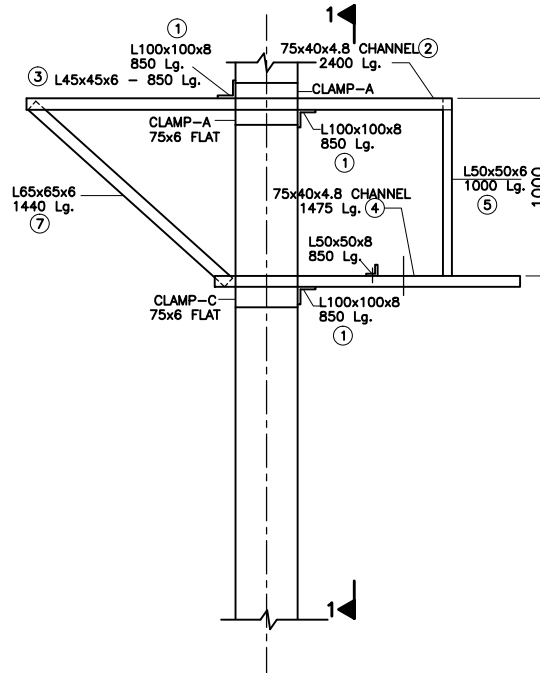
	Signatures	All dimensions are in mm unless otherwise stated.	 BESCOM
Chd	 AGM (QS&S)	1 GOS SYSTEM WITHOUT TRANSFORMER SEATING ANGLE ON 11M LONG TUBULAR SPUN CONCRETE	Approved:
Sub	 DGM (QS&S)	POLE FOR 63/100/250 KVA TRS, BOM-11	 General Manager, (Elec.) QS&S
	SCALE: N.T.S	SHEET 1 OF 3	DRG.NO.BESCOM/GM/QS&S/68 REV-002 DATED:24-11-2018



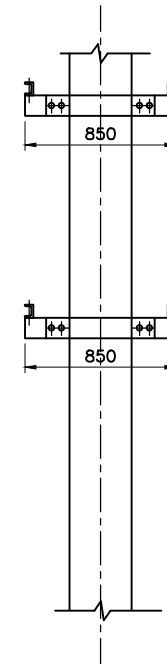
SECTION-Y-Y





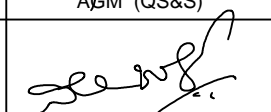
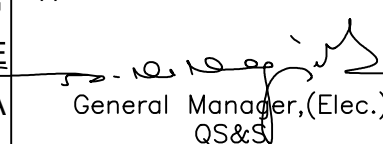
SECTION-Z-Z

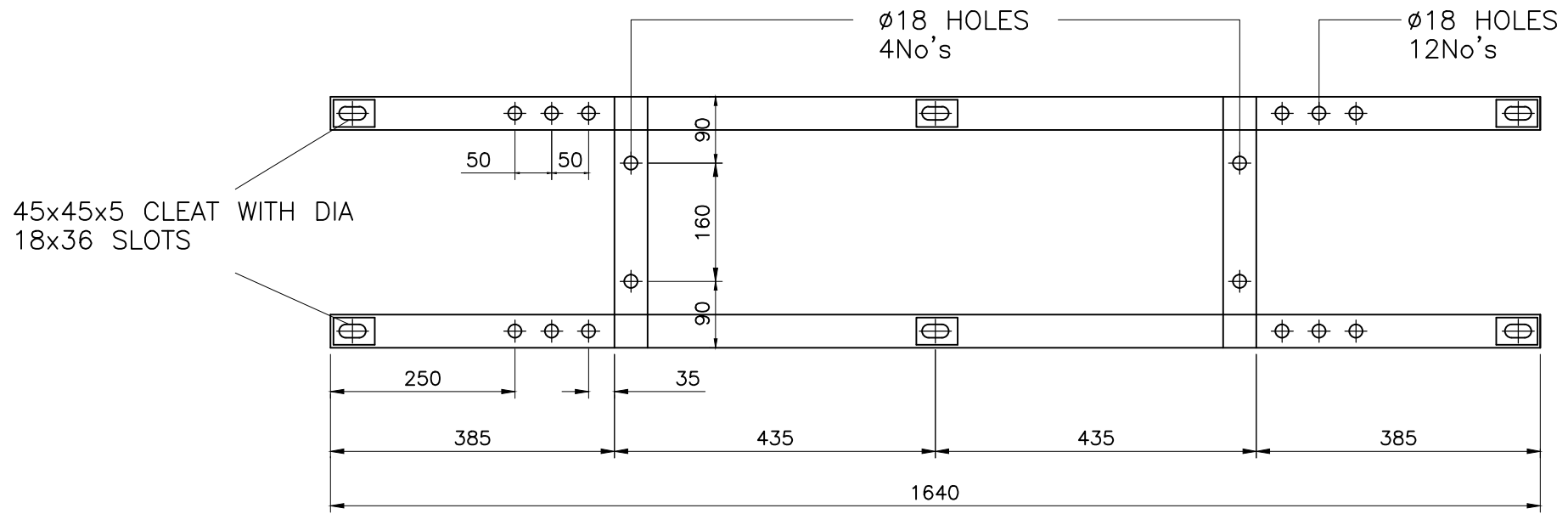


SIDE VIEW



SECTION-1-1

Signatures		All dimensions are in mm unless otherwise stated.	 BESCOM
Chd	 AGM (QS&S)	1 GOS SYSTEM WITHOUT TRANSFORMER SEATING ANGLE ON 11M LONG TUBULAR SPUN CONCRETE POLE FOR 63/100/250 KVA TRS, BOM-11	Approved:
Sub	 DGM (QS&S)		 General Manager, (Elec.) QS&S
SCALE: N.T.S		SHEET 2 OF 3	DRG.NO.BESCOM/GM/QS&S/68 REV-002 DATED:24-11-2018



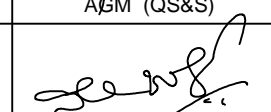
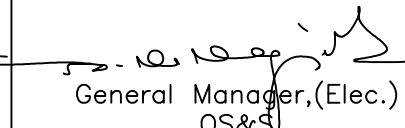


8 H-FRAME

BILL OF MATERIALS - 11

SPMT For OH line (Having Single H Frame without Transformer seating and seating angle support x-arm) for 11 mtr Spun Pole for 63/100/250/500 KVA Transformer.

SI No	Size of the steel section	Length (in mm)	Qty (in Nos)	Kgs/Mtr	Total Wt
TOP Bracket					
1	100x100x8mm MS Angle	850	3	12.10	30.86
2	75x40x4.8mm MS Channel (MC75/MCP75)	2400	2	7.14	34.27
3	45x45x5mm MS Angle	850	3	3.40	8.67
4	75x40x4.8mm MS Channel (MC75/MCP75)	1475	2	7.14	21.06
5	50x50x6mm MS Angle	1000	2	4.50	9.00
6	65x65x6mm MS Angle	1440	2	5.80	16.70
GOS Mounting Structure (Ladder)					
7	45x45x5mm MS Angle	1640	2	3.40	11.15
8	45x45x5mm MS Angle (Cleat)	60	6	3.40	1.22
9	40x40x5mm MS Angle	335	2	3.00	2.01
10	Round clamps of different sizes made out of MS flats suitable for fixing the above structural materials to the pole. a) 75x6 MS Flat	1000	6	3.532	21.19
11	MS Hexagonal bolts, nuts Full Thread and washers of different sizes to sufficient in quantity for fixing		10kgs Approx.		10.00
Total in Kgs					166.14

	Signatures	All dimensions are in mm unless otherwise stated.	 BESCOM
Chd	 AGM (QS&S)	1 GOS SYSTEM WITHOUT TRANSFORMER SEATING ANGLE ON 11M LONG TUBULAR SPUN CONCRETE POLE FOR 63/100/250 KVA TRS, BOM-11 SHEET 3 OF 3	
Sub	 DGM (QS&S)		 General Manager, (Elec.) QS&S
	SCALE: N.T.S		DRG.NO.BESCOM/GM/QS&S/68 REV-002