
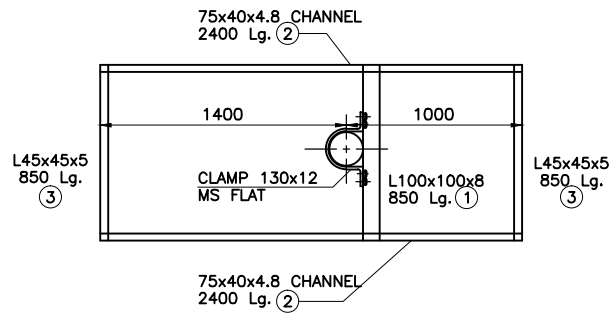


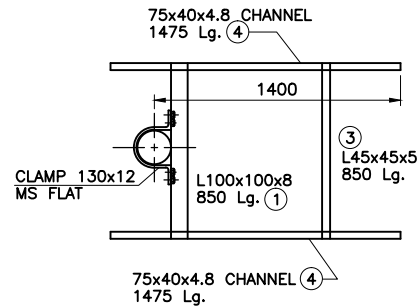
**NOTES:-**

1. DETAILS OF MOUNTING OF GOS, L.A., H.G.FUSE AND TRANSFORMER ARE SHOWN IN SHEET-2.
2. ALL HOLES ARE 18mm  $\phi$  FOR 16mm  $\phi$  BOLTS

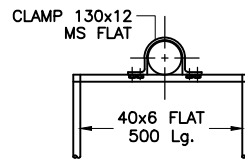
	Signatures	All dimensions are in mm unless otherwise stated.	 <b>BESCOM</b>
Chd	<i>[Signature]</i> AGM (QS&S)	3 GOS SYSTEM WITHOUT TRANSFORMER SEATING ANGLE ON 11M LONG TUBULAR SPUN CONCRETE	
Sub	<i>[Signature]</i> DGM (QS&S)	POLE FOR 63/100/250 KVA TRS, BOM-12	<i>[Signature]</i> General Manager, (Elec.) QS&S
	SCALE: N.T.S	SHEET 1 OF 3	DRG.NO.BESCOM/GM/QS&S/69 REV-002 DATED:24-11-2018



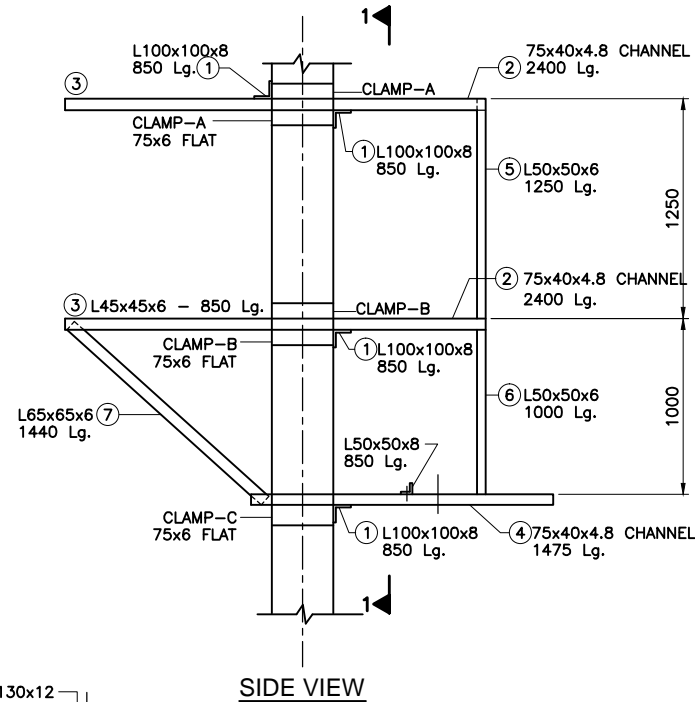
SECTION-Y-Y



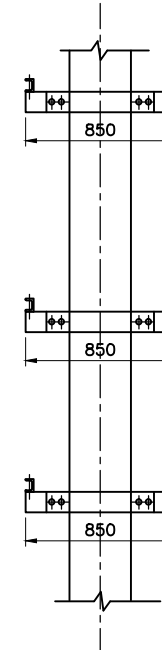
SECTION-Z-Z





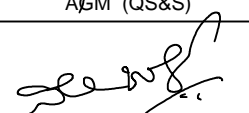
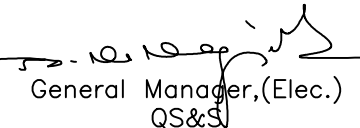
SECTION-X-X

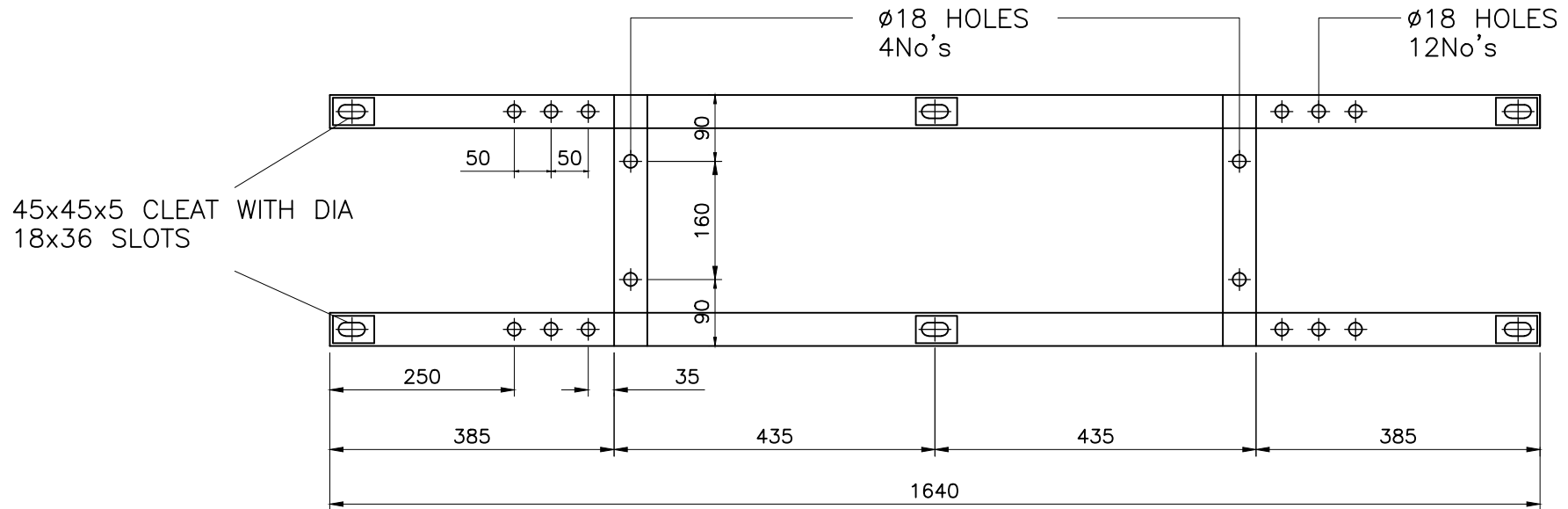


SIDE VIEW



SECTION-1-1

Signatures		All dimensions are in mm unless otherwise stated.	 <b>BESCOM</b>
Chd	 AGM (QS&S)	<b>3 GOS SYSTEM            WITHOUT TRANSFORMER            SEATING ANGLE ON 11M LONG            TUBULAR SPUN CONCRETE            POLE FOR 63/100/250 KVA            TRS, BOM-12            SHEET 2 OF 3</b>	
Sub	 DGM (QS&S)		 General Manager, (Elec.) QS&S
SCALE: N.T.S			DRG.NO.BESCOM/GM/QS&S/69 REV-002 DATED:24-11-2018



8 H-FRAME

**BILL OF MATERIALS - 12**

**SPMT For UG Cable network (Having 3 Nos H Frame without Transformer seating and seating angle support x-arm) for 11 mtr Spun Pole for 63/100/250/500 KVA Transformer.**

SI No	Size of the steel section	Length (in mm)	Qty (in Nos)	Kgs/Mtr	Total Wt
	<b>TOP Bracket</b>				
1	100x100x8mm MS Angle	850	5	12.1	51.43
2	75x40x4.8mm MS Channel (MC75/MCP75)	2400	4	7.14	68.54
3	45x45x5mm MS Angle	850	5	3.4	14.45
4	75x40x4.8mm MS Channel (MC75/MCP75)	1475	2	7.14	21.06
5	50x50x6mm MS Angle	1250	2	4.5	11.25
6	50x50x6mm MS Angle	1000	2	4.5	9.00
7	65x65x6mm MS Angle	1440	2	5.8	16.70
	<b>GOS Mounting Structure (Ladder)</b>				0.00
8	45x45x5mm MS Angle	1640	6	3.4	33.46
9	45x45x5mm MS Angle (Cleat)	60	18	3.4	3.67
10	40x40x5mm MS Angle	335	6	3	6.03
11	Round clamps of different sizes made out of MS flats suitable for fixing the above structural materials to the pole				
	a) 75x6 MS Flat	1000	8	3.53	28.24
12	MS Hexagonal bolts, nuts Full Thread and washers of different sizes to sufficient in quantity for fixing		10kgs Approx		10

**Total in Kgs 273.83**

	Signatures	All dimensions are in mm unless otherwise stated.	
Chd		3 GOS SYSTEM WITHOUT TRANSFORMER SEATING ANGLE ON 11M LONG TUBULAR SPUN CONCRETE POLE FOR 63/100/250 KVA TRS, BOM-12 SHEET 3 OF 3	Approved:
Sub			
	SCALE: N.T.S		DRG.NO.BESCOM/GM/QS&S/69 REV-002 DATED:24-11-2018