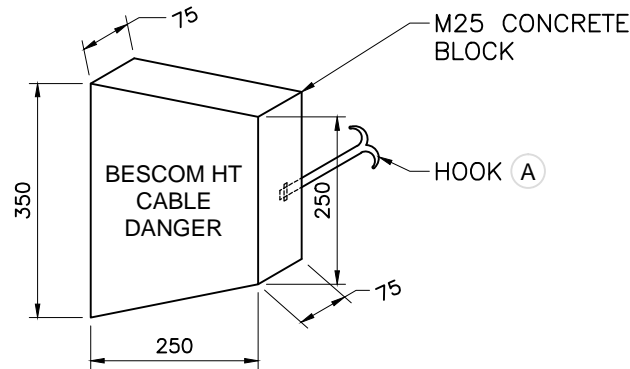
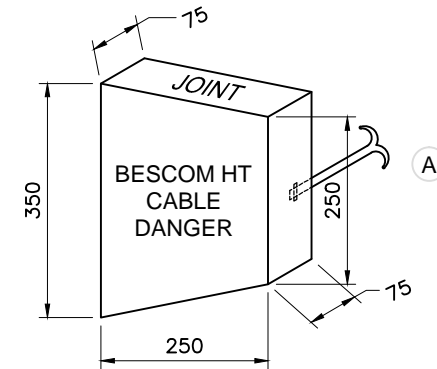


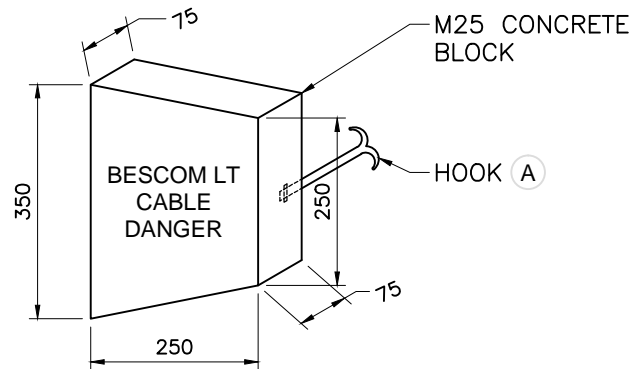
ROUTE MARKER (HT)



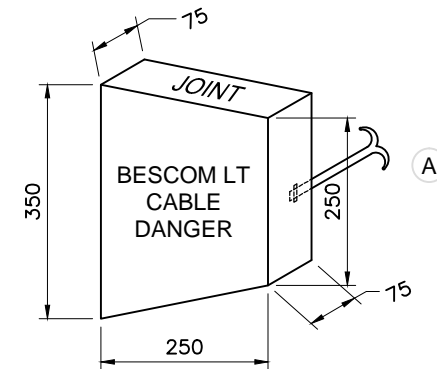
JOINT MARKER (HT)



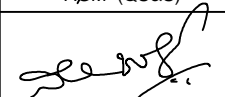
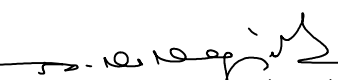


ROUTE MARKER (LT)



JOINT MARKER (LT)



	Signatures	All dimensions are in mm unless otherwise stated.	 BESCOM
Chd	 AGM (QS&S)	ROUTE MARKER (HT & LT) JOINT MARKER (HT & LT)	Approved:
Sub	 DGM (QS&S)		 General Manager, (Elec.) QS&S
SCALE: N.T.S			DRG.NO.BESCOM/GM/QS&S/80 REV-002 DATED:24-11-2018