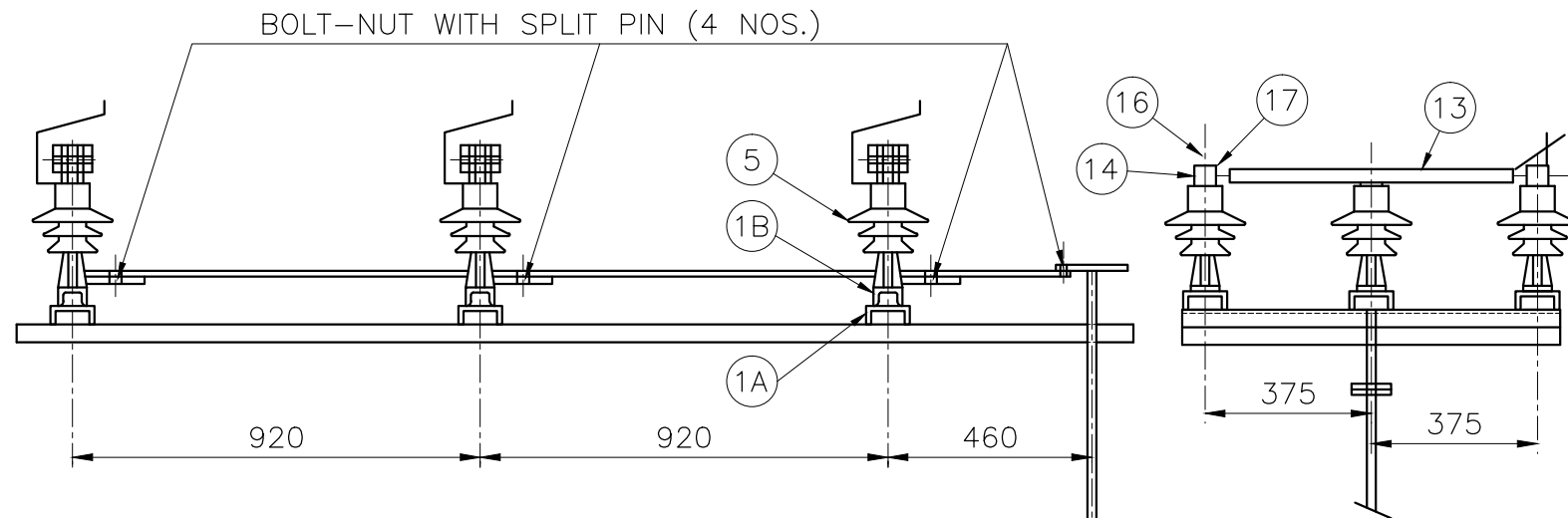
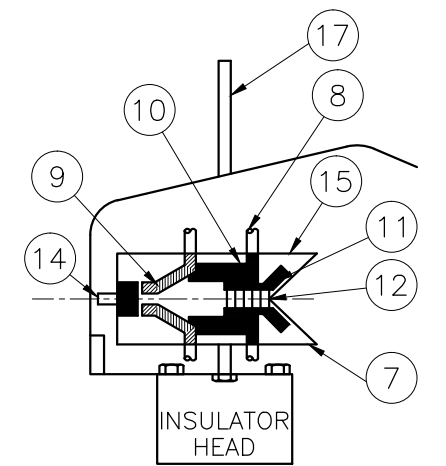


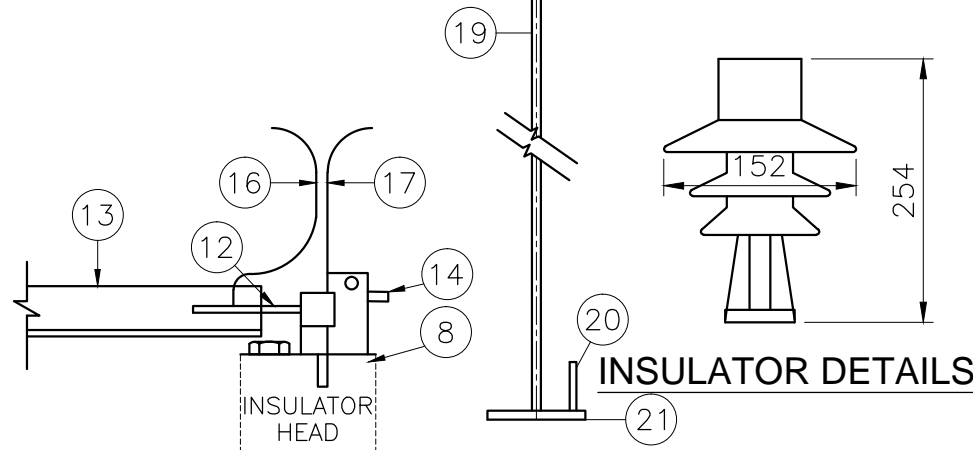
**11KV 400A GOS (DOUBLE BREAK)**



**REAR SIDE VIEW**



**TOP DETAILS IN SECTIONAL ELEVATION**



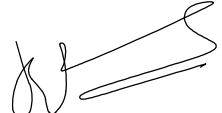



**INSULATOR DETAILS**

SL. NO.	DESCRIPTION	SIZE	SECTION IN mm	QUANTITY
1A	M.S CHANNEL	825mm	75x40x4.8	3 NOS
1B	M.S CHANNEL FOR FIXING INSULATOR	75mm	75x40x4.8	9 NOS.
2.	GUN METAL BUSH (TOP) FOR SPINDLE (STANDARD PARTS NOT SHOWN IN THE DRG.)	6mm HT.	25mm $\phi$	3 NOS.
3.	GUN METAL BUSH (BOTTOM) FOR SPINDLE (STANDARD PARTS NOT SHOWN IN THE DRG.)	6mm HT.	25mm $\phi$	3 NOS.
4.	SPINDLE PLATE WITH SPINDLE	280mm	75x5mm	3 NOS.
5.	11KV POST INSULATOR	-	-	9 NOS.
6.	TOP PLATE	125mm	145x8 SWG	6 NOS.
7.	CONTACT BOX (BOTTOM)	145mm L 16 SWG TH	42mm W H-20	6 NO.
8.	COPPER CONTACT PIN (TINNED)	8mm ROD	50mm L	24 NOS.
9.	PHOISPHUR BRONZE COPPER STRIPS (TINNED)	110 (0.5Th.)	25mm W	48 NOS.
10.	SPRING(STAINLESS STEEL)	25mm Long	10mm $\phi$	24 NOS.
11.	COPPER CONTACT (TINNED)	90mm	35x5	12 NOS.
12.	COPPER KNIFE (TINNED)	760mm	40x5	3 NOS.
13.	MOVABLE ANGLE	580mm	45x45x5	3 NOS.
14.	LEADING FLAT, COPPER (TINNED)	190mm	40x5	6 NO.
15.	CONTACT BOX (TOP)	145mm L 16 SWG TH	42mm W H-20	6 NOS.
16.	MOVABLE ARCING HORN	300mm	10mm $\phi$	6 NOS.
17.	FIXED ARCING HORN	330mm	10mm $\phi$	6 NOS.
18.	HORIZONTAL G.I PIPE	2450mm	32mm $\phi$ OD B-CLASS	1 NO.
19.	VERTICAL G.I PIPE	5400mm	32mm $\phi$ OD B-CLASS	1 NO.
20.	HANDLE PIPE	500mm	32mm $\phi$ OD B-CLASS	1 NO.
21.	LOCKING ARRANGEMENT	PLATES 5mm	200x75, 100x75, 100x75, 280x50	4 NOS.
22.	NUT & BOLTS	80 x 10mm - 24 NO, 25mm LONG- 5 NO, 30mm - 18 NO, 32mm LONG -60 NOS. ABOVE MENTIONED NUT & BOLTS ARE 10mm $\phi$		
23.	64 x 12mm - 4 NO.	ABOVE MENTIONED NUT & BOLTS ARE 10mm $\phi$		

**NOTES:-**

1. ALL DIMENSIONS ARE IN mm UNLESS OTHERWISE STATED.
2. THE INSULATORS USED IN GOS SHALL BE GOT APPROVED BEFORE PLACING THE PURCHASE ORDER.
3. ALL COPPER PARTS ARE TO BE TIN PLATED.
4. ALL BOLT NUTS USE FOR OPERATING ANGLE SHALL BE WITH SPLIT PIN.
5. THE CONNECTING END OF BOTH MOVING AND FIXED CONTACT SHOULD BE FITTED WITH PG CLAMPS CONNECTORS (COYOTE TO COYOTE)

Signatures		All dimensions are in mm unless otherwise stated.	 <b>BESCOM</b>	
Chd	 AGM (QS&S)	<b>11 KV, 400A DOUBLE BREAK ISOLATOR</b>	Approved:  General Manager,(Elec.) QS&S	
Sub	 DGM (QS&S)		DRG.NO.BESCOM/GM/QS&S/22 REV-004 DATED:12-08-2022	
SCALE: N.T.S				