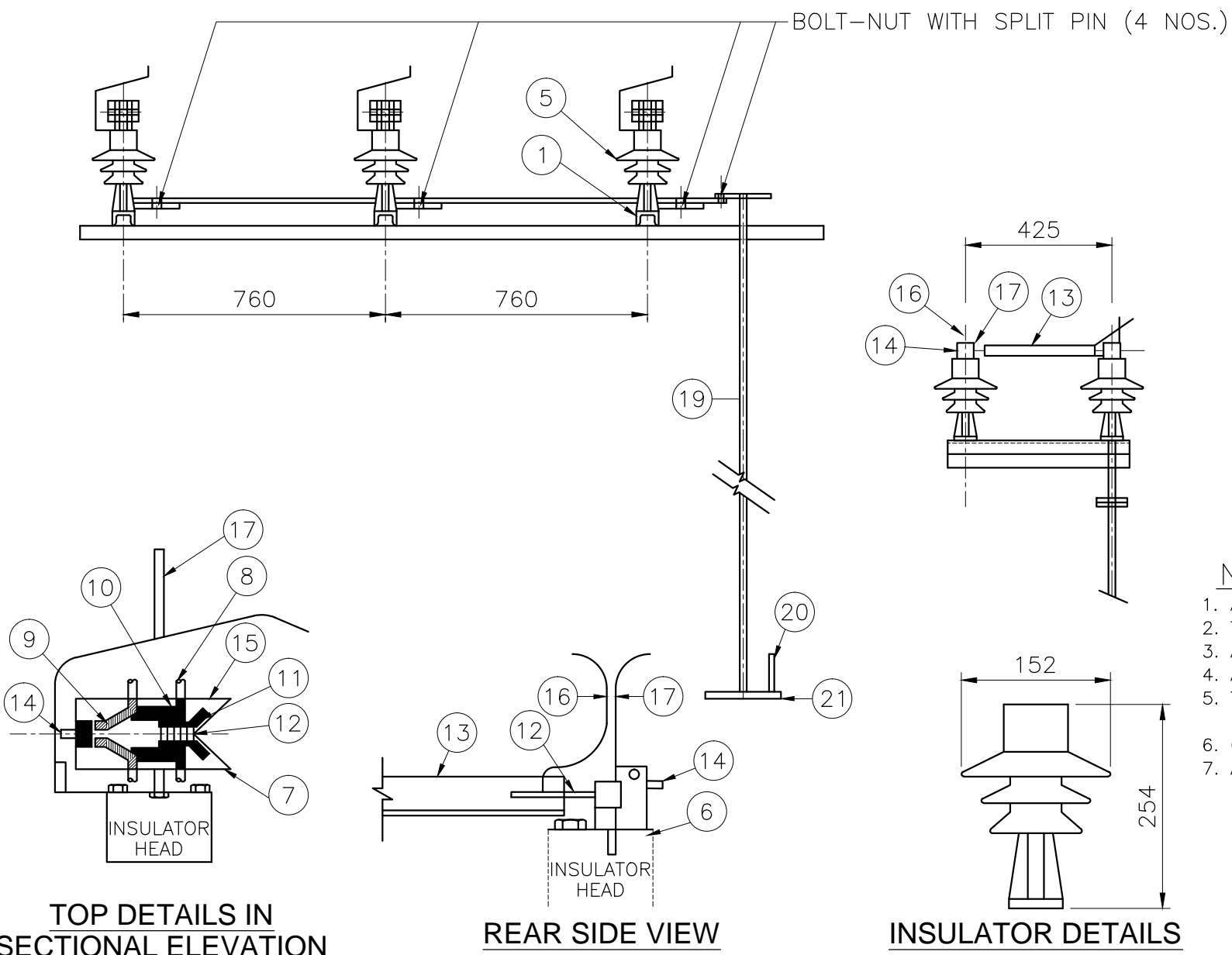


11KV 200A GOS (SINGLE BREAK)



TOP DETAILS IN SECTIONAL ELEVATION

REAR SIDE VIEW

INSULATOR DETAILS

SL. NO.	DESCRIPTION	SIZE	SECTION IN mm	QUANTITY
1	M.S CHANNEL	500mm	75x40x4.8	3 NOS.
2	GUN METAL BUSH (TOP & BOTTOM) FOR SPINDLE (STANDARD PARTS NOT SHOWN IN THE DRG.)	6mm HT.	25mm ϕ	6 NOS.
4	SPINDLE PLATE WITH SPINDLE	280mm	75x5mm	3 NOS.
5	11KV POST INSULATOR	-	-	6 NOS.
6	TOP PLATE	100mm	50x5mm	3 NOS.
7	CONTACT BOX (BOTTOM)	110mm L 16 SWG TH	32mm W H-8mm	3 NOS.
8	COPPER CONTACT PIN (TINNED)	8mm ROD	40mm L	12 NOS.
9	PHOISPHUR BRONZE COPPER STRIPS (TINNED)	100 (0.5Th.)	25mm W	12 NOS.
10	SPRING(STAINLESS STEEL)	25mm Long	18G	12 NOS.
11	COPPER CONTACT (TINNED)	90mm	25x5	6 NOS.
12	COPPER KNIFE (TINNED)	460mm	32x5	3 NOS.
13	MOVABLE ANGLE	400mm	45x45x5	3 NOS.
14	LEADING FLAT, COPPER (TINNED)	160mm	25x5	3 NOS.
15	CONTACT BOX (TOP)	110mm L 16 SWG TH	32mm W H-8mm	3 NOS.
16	MOVABLE ARCING HORN	300mm	8mm ϕ	3 NOS.
17	FIXED ARCING HORN	330mm	8mm ϕ	3 NOS.
18	HORIZONTAL G.I PIPE	2000mm	32mm ϕ B-CLASS	1 NO.
19	VERTICAL G.I PIPE	5400mm	32mm ϕ B-CLASS	1 NO.
20	HANDLE PIPE	500mm	32mm ϕ B-CLASS	1 NO.
21	LOCKING ARRANGEMENT	PLATES 5mm	200x75, 100x75, 100x75, 280x50	4 NOS.
22	NUT & BOLTS	80 x 10mm - 24 NOS, 25mm LONG- 5 NOS, 30mm - 18 NOS, 32mm LONG - 60 NOS. ABOVE MENTIONED NUT & BOLTS ARE 10mm ϕ		
23	64 x 12mm - 4 NOS.	ABOVE MENTIONED NUT & BOLTS ARE 10mm ϕ		

NOTES:-

1. ALL DIMENSIONS ARE IN mm UNLESS OTHERWISE STATED.
2. THE INSULATORS USED IN GOS SHALL BE GOT APPROVED BEFORE PLACING THE PURCHASE ORDER.
3. ALL COPPER PARTS ARE TO BE TIN PLATED.
4. ALL BOLT NUTS USE FOR OPERATING ANGLE SHALL BE WITH SPLIT PIN.
5. THE CONNECTING END OF BOTH MOVING AND FIXED CONTACT SHOULD BE FITTED WITH PG CLAMPS (RABBIT TO RABBIT)
6. CREEPAGE DISTANCE OF POST INSULATOR SHALL BE 320mm(Min.)
7. ALL FERROUS PARTS SHALL BE HOT DIP GALVANIZED.

Signatures		All dimensions are in mm unless otherwise stated.	 BESCOM
Chd	<i>[Signature]</i> AGM (QS&S)		
Sub	<i>[Signature]</i> DGM (QS&S)	11 KV, 200A SINGLE BREAK ISOLATOR	Approved: <i>[Signature]</i> General Manager,(Elec.) QS&S
SCALE: N.T.S			DRG.NO.BESCOM/GM/QS&S/23 REV-006 DATED:17-08-2022