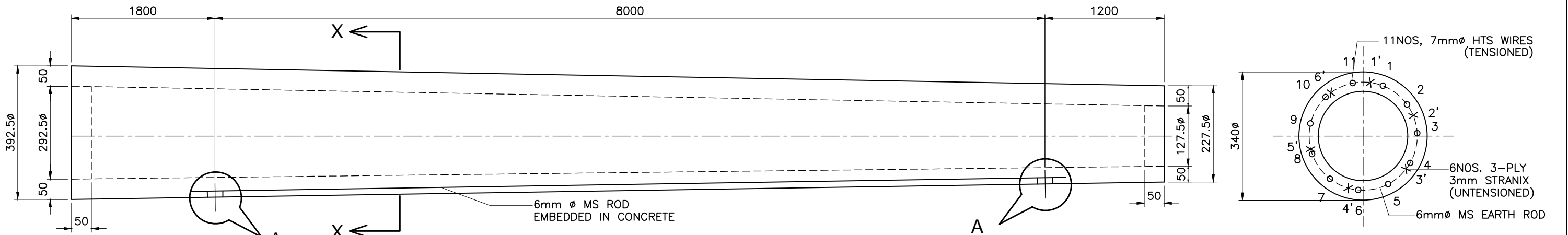
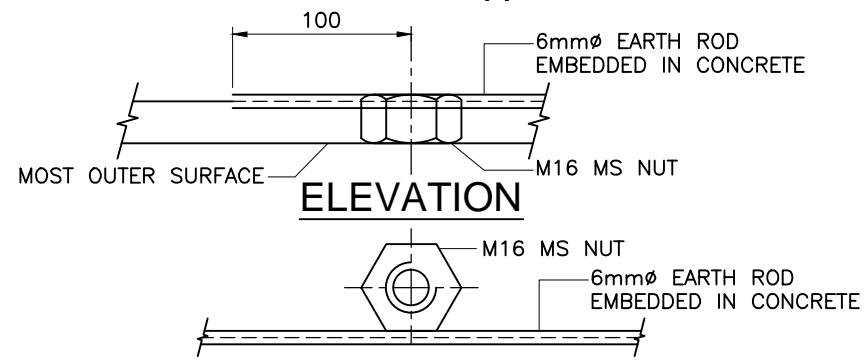


ELEVATION



ENLARGED SECTION SHOWING EARTHING ROD ARRANGEMENTS

SECTION ON 'X'-7.5M FROM TOP



PLAN DETAILS AT 'A'

INDEX OF MATERIALS

SL. NO.	DESCRIPTION	WEIGHT(Kg)
1.	CONCRETE 0.4416 - 2500Kg/m	1104.0
2.	3x3 PLY. HTS WIRES TO IS:6006-1983	5.0
3.	7mm HTS WIRES TO IS:6003-2010	36.8
4.	2.7mm HELICAL	2.8
5.	6mm EARTHING ROD TO IS:2062 GRADE 'A'	1.8

NOTES:-

- 7mm HTS WIRES ARE INDENTED PC WIRES TO IS:6003-2010.
- MS REINFORCEMENTS ARE TO IS:432 PL1-1982
- GRADE OF CONCRETE F=52 Kg/Sq.Cm (CONTROLLED CONCRETE)
- TRANSFER STRENGTH OF CONCRETE TO BE MINIMUM 306 Kg/Sq.Cm.
- MINIMUM CLEAR COVER FOR TENSIONED & UNTENSIONED WIRE IS 20mm.
- 6mm MS EARTH WIRE TO BE WELDED TO M16 NUT AT 2 LOCATIONS AS SHOWN.
- PVC INSERTS AT 600 CRS STANDARD ON OPPOSITE SIDES SHOWN.
- CG. OF POLE IS 6M FROM BOTTOM.

Signatures		11.0M LENGTH PRESTRESSED CONCRETE SPUN POLE	 BESCOM Approved: General Manager, (Elec.) QS&S
Chd	 AGM (QS&S)		
Sub	 DGM (QS&S)		
SCALE: N.T.S		DRG.NO.BESCOM/GM/QS&S/45 REV-003	DATED:09-02-2022